

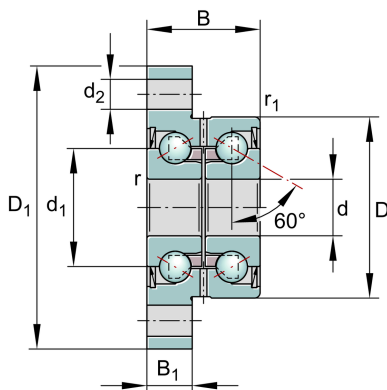
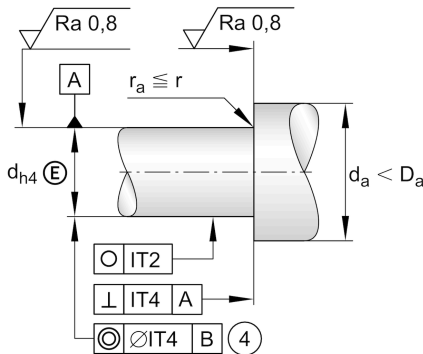
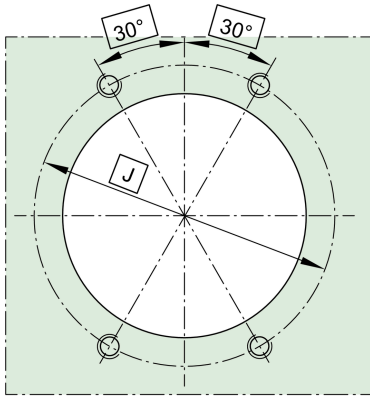
ZKLFA1263-2RS

Axial angular contact ball bearing

Schaeffler ID:
0001307290000

Angular contact ball bearing units
ZKLFA...-2RS, double direction, for screw
mounting, lip seals on both sides, with
flattened flange

Technical information



Main Dimensions & Performance Data

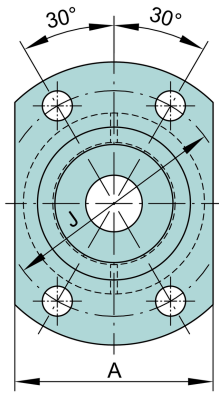
d	12 mm	Bore diameter
	0 mm	Bore diameter upper tolerance
	-0,005 mm	Bore diameter lower tolerance
D	42 mm	Outside diameter
	0 mm	Outside diameter upper tolerance
	-0,01 mm	Outside diameter lower tolerance
B	25 mm	Width
	0 mm	Width upper tolerance
	-0,25 mm	Width lower tolerance
C _a	17.100 N	Basic dynamic load rating, axial
C _{0a}	25.000 N	Basic static load rating, axial
C _{ua}	1.140 N	Fatigue load limit, axial
n _{G Grease}	9.200 1/min	Limiting speed for grease lubrication
n _g	3.800 1/min	Thermally permissible speed
≈m	0,276 kg	Weight

Mounting dimensions

d _{a min}	16 mm	Minimum diameter shaft shoulder
d _{a max}	31 mm	Maximum diameter of shaft shoulder
t ₁	0,1 mm	position tolerance
	M6	Screw size
n _a	4	Number of screws

Dimensions

d ₁	25 mm	Rib diameter inner ring
r _{min}	0,3 mm	Minimum chamfer dimension
r _{1 min}	0,6 mm	Minimum chamfer dimension
B ₁	10 mm	Thickness of flange
d ₂	6,8 mm	Fixing boring diameter
J	53 mm	Pitch circle diameter (holes)
A	45 mm	Flange width



Temperature range

T_{\min}	-30 °C	Operating temperature min.
T_{\max}	120 °C	Operating temperature max.

Additional information

M_{RL}	0,16 Nm	Bearing friction torque
c_{aL}	375 N/ μm	Rigidity axial
c_{kL}	50 Nm/mrad	Tilting stiffness
M_m	0,068 kg*cm ²	Mass moment of inertia
	2 μm	Axial runout
	ZM12	recommended INA precision locknut for radial locking (not included)
M_A	8 Nm	Tightening torque nut
	5.307 N	Locknut force axial

