

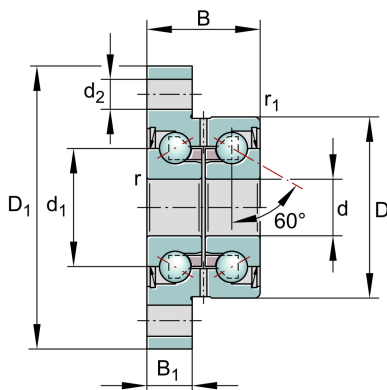
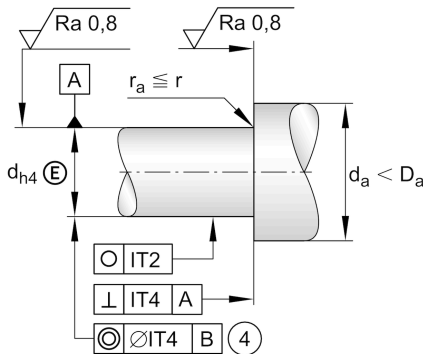
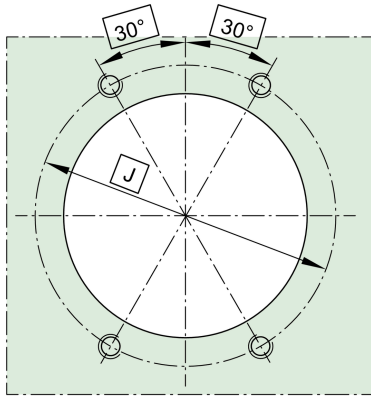
## ZKLFA1050-2RS

Axial angular contact ball bearing

Schaeffler ID:  
0001309660000

Angular contact ball bearing units  
ZKLFA...-2RS, double direction, for screw  
mounting, lip seals on both sides, with  
flattened flange

### Technical information



### Main Dimensions & Performance Data

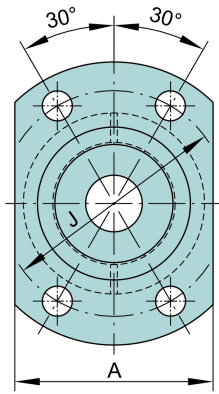
d	10 mm	Bore diameter
	0 mm	Bore diameter upper tolerance
	-0,005 mm	Bore diameter lower tolerance
D	32 mm	Outside diameter
	0 mm	Outside diameter upper tolerance
	-0,01 mm	Outside diameter lower tolerance
B	20 mm	Width
	0 mm	Width upper tolerance
	-0,25 mm	Width lower tolerance
C <sub>a</sub>	13.400 N	Basic dynamic load rating, axial
C <sub>0a</sub>	18.800 N	Basic static load rating, axial
C <sub>ua</sub>	850 N	Fatigue load limit, axial
n <sub>G Grease</sub>	10.900 1/min	Limiting speed for grease lubrication
n <sub>g</sub>	4.600 1/min	Thermally permissible speed
≈m	0,124 kg	Weight

### Mounting dimensions

d <sub>a min</sub>	14 mm	Minimum diameter shaft shoulder
d <sub>a max</sub>	27 mm	Maximum diameter of shaft shoulder
t <sub>1</sub>	0,1 mm	position tolerance
	M5	Screw size
n <sub>a</sub>	4	Number of screws

### Dimensions

d <sub>1</sub>	21 mm	Rib diameter inner ring
r <sub>min</sub>	0,3 mm	Minimum chamfer dimension
r <sub>1 min</sub>	0,6 mm	Minimum chamfer dimension
B <sub>1</sub>	8 mm	Thickness of flange
d <sub>2</sub>	5,5 mm	Fixing boring diameter
J	40 mm	Pitch circle diameter (holes)
A	35 mm	Flange width



### Temperature range

$T_{\min}$	-30 °C	Operating temperature min.
$T_{\max}$	120 °C	Operating temperature max.

### Additional information

$M_{RL}$	0,12 Nm	Bearing friction torque
$c_{aL}$	325 N/μm	Rigidity axial
$c_{kL}$	25 Nm/mrad	Tilting stiffness
$M_m$	0,029 kg*cm <sup>2</sup>	Mass moment of inertia
	2 μm	Axial runout
	ZM10	recommended INA precision locknut for radial locking (not included)
$M_A$	6 Nm	Tightening torque nut
	4.891 N	Locknut force axial

