

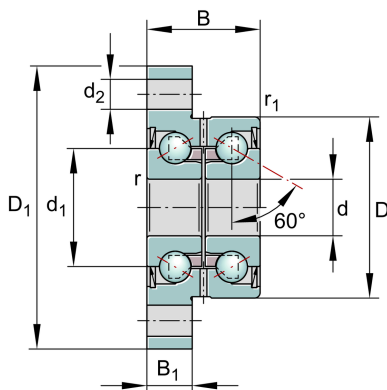
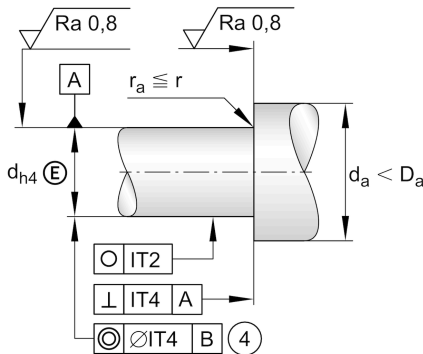
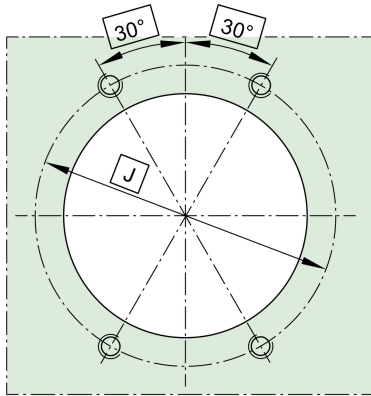
ZKLFA0640-2RS

Axial angular contact ball bearing

Schaeffler ID:
0001301840000

Angular contact ball bearing units
ZKLFA...-2RS, double direction, for screw
mounting, lip seals on both sides, with
flattened flange

Technical information



Main Dimensions & Performance Data

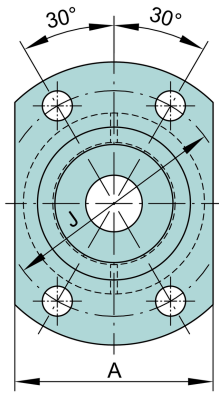
d	6 mm	Bore diameter
	0,002 mm	Bore diameter upper tolerance
	-0,003 mm	Bore diameter lower tolerance
D	24 mm	Outside diameter
	0 mm	Outside diameter upper tolerance
	-0,01 mm	Outside diameter lower tolerance
B	15 mm	Width
	0 mm	Width upper tolerance
	-0,25 mm	Width lower tolerance
C _a	6.900 N	Basic dynamic load rating, axial
C _{0a}	8.500 N	Basic static load rating, axial
C _{ua}	385 N	Fatigue load limit, axial
n _{G Grease}	16.400 1/min	Limiting speed for grease lubrication
n _g	6.800 1/min	Thermally permissible speed
≈m	59 g	Weight

Mounting dimensions

d _{a min}	9 mm	Minimum diameter shaft shoulder
d _{a max}	18 mm	Maximum diameter of shaft shoulder
t ₁	0,1 mm	position tolerance
	M4	Screw size
n _a	4	Number of screws

Dimensions

d ₁	14 mm	Rib diameter inner ring
r _{min}	0,3 mm	Minimum chamfer dimension
r _{1 min}	0,6 mm	Minimum chamfer dimension
B ₁	6 mm	Thickness of flange
d ₂	4,5 mm	Fixing boring diameter
J	32 mm	Pitch circle diameter (holes)
A	27 mm	Flange width



Temperature range

T_{\min}	-30 °C	Operating temperature min.
T_{\max}	120 °C	Operating temperature max.

Additional information

M_{RL}	0,04 Nm	Bearing friction torque
c_{aL}	200 N/μm	Rigidity axial
c_{kL}	8 Nm/mrad	Tilting stiffness
M_m	0,0044 kg*cm ²	Mass moment of inertia
	2 μm	Axial runout
	ZM06	recommended INA precision locknut for radial locking (not included)
M_A	2 Nm	Tightening torque nut
	2.404 N	Locknut force axial

