

ZKLF80165-2Z-XL

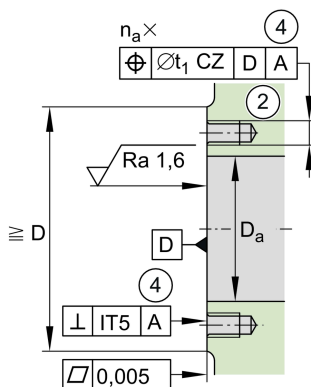
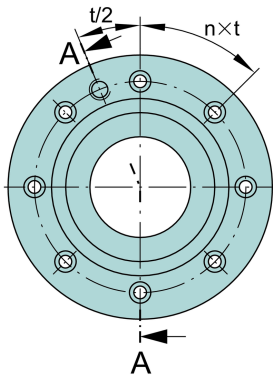
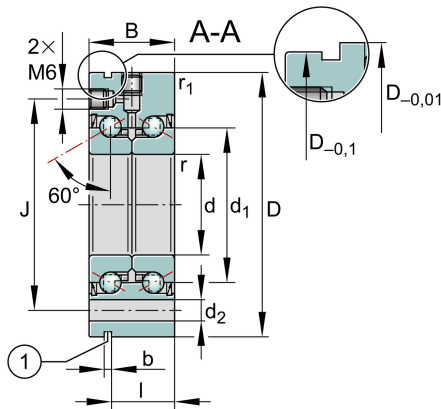
Axial angular contact ball bearing

Schaeffler ID:
0010072970000

Axial angular contact ball bearings
ZKLF..-2Z, double direction, for screw
mounting, gap seals on both sides

X-life

Technical information



Main Dimensions & Performance Data

d	80 mm	Bore diameter
	0 mm	Bore diameter upper tolerance
	-0,008 mm	Bore diameter lower tolerance
D	165 mm	Outside diameter
	0 mm	Outside diameter upper tolerance
	-0,015 mm	Outside diameter lower tolerance
B	45 mm	Width
	0 mm	Width upper tolerance
	-0,25 mm	Width lower tolerance
C_a	100.000 N	Basic dynamic load rating, axial
C_{0a}	265.000 N	Basic static load rating, axial
C_{ua}	15.800 N	Fatigue load limit, axial
$n_{G \text{ Grease}}$	3.600 1/min	Limiting speed for grease lubrication
n_g	2.700 1/min	Thermally safe operating speed
M_R	1,4 Nm	Bearing frictional torque
$\approx m$	4,79 kg	Weight

Mounting dimensions

$D_{a \text{ max}}$	120 mm	Maximum diameter of housing
$d_{a \text{ min}}$	102 mm	Minimum diameter shaft
t_1	0,2 mm	Position tolerance of bore in the housing
	M8	Size of fixing screws
n_a	8	Number of holes in adjacent construction
t_a	45 °	Pitch separation angle of holes in adjacent construction
	M6	Connection thread for lubrication

