

ZKLF70155-2Z-XL

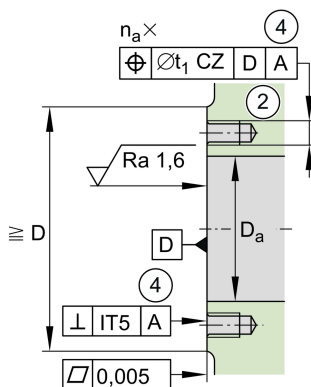
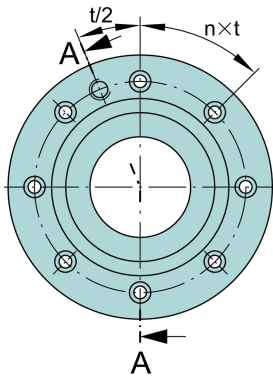
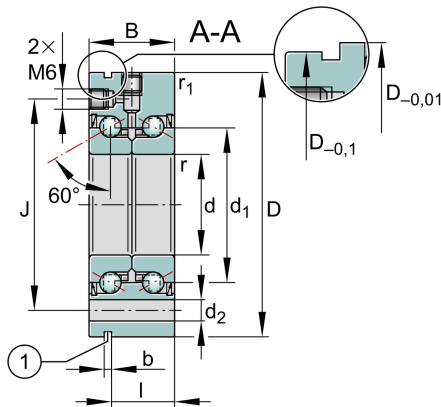
Axial angular contact ball bearing

Schaeffler ID:
0010068000000

Axial angular contact ball bearings
ZKLF..-2Z, double direction, for screw
mounting, gap seals on both sides

X-life

Technical information

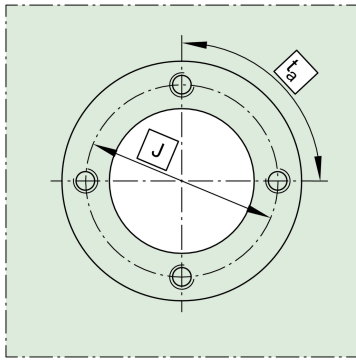
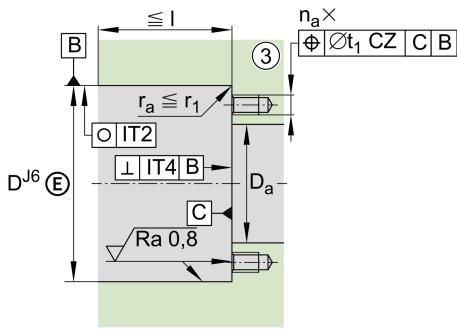


Main Dimensions & Performance Data

d	70 mm	Bore diameter
	0 mm	Bore diameter upper tolerance
	-0,008 mm	Bore diameter lower tolerance
D	155 mm	Outside diameter
	0 mm	Outside diameter upper tolerance
	-0,015 mm	Outside diameter lower tolerance
B	45 mm	Width
	0 mm	Width upper tolerance
	-0,25 mm	Width lower tolerance
C_a	97.000 N	Basic dynamic load rating, axial
C_{0a}	241.000 N	Basic static load rating, axial
C_{ua}	14.600 N	Fatigue load limit, axial
$n_{G \text{ Grease}}$	3.800 1/min	Limiting speed for grease lubrication
n_g	2.800 1/min	Thermally safe operating speed
M_R	1,2 Nm	Bearing frictional torque
$\approx m$	4,386 kg	Weight

Mounting dimensions

$D_{a \text{ max}}$	110 mm	Maximum diameter of housing
$d_{a \text{ min}}$	92 mm	Minimum diameter shaft
t_1	0,2 mm	Position tolerance of bore in the housing
	M8	Size of fixing screws
n_a	8	Number of holes in adjacent construction
t_a	45 °	Pitch separation angle of holes in adjacent construction
	M6	Connection thread for lubrication



Dimensions

d_1	95 mm	Rib diameter inner ring
r_{min}	0,6 mm	Minimum chamfer dimension
$r_{1 min}$	0,6 mm	Minimum chamfer dimension
J	130 mm	Pitch circle diameter fixing holes
d_2	8,8 mm	Fixing holes diameter
b	3 mm	Width of extraction slot
l	35 mm	Distance of extraction slot
n	8	Pitch quantity of fixing holes
t	45 °	Pitch separation angle of fixing holes
a	60 °	Contact angle

Temperature range

T_{min}	-30 °C	Operating temperature min.
T_{max}	120 °C	Operating temperature max.

Additional information

c_{aL}	1.450 N/μm	Rigidity axial
c_{kL}	2.250 Nm/mrad	Tilting rigidity
M_m	19,8 kg*cm ²	Mass moment of inertia
	3 μm	Axial runout
	ZMA70/110	Recommended INA precision locknut for radial locking
	AM70	Recommended INA precision locknut for axial locking
M_A	130 Nm	Tightening torque for the recommended INA precision locknut
	19.031 N	Required locknut force axial

