

ZKLF50140-2Z-XL

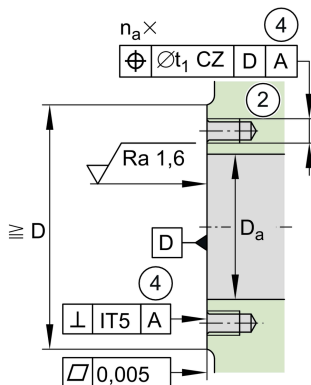
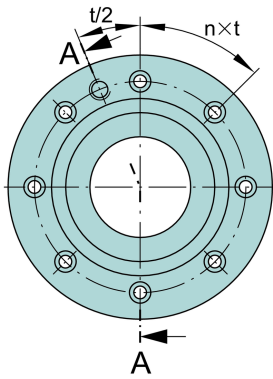
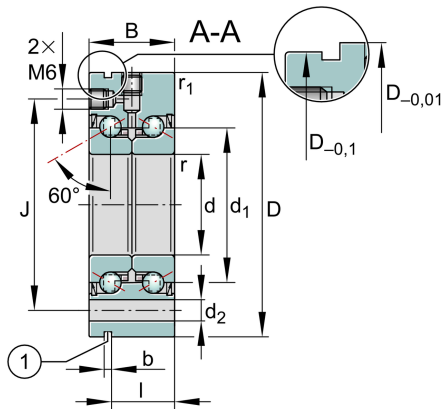
Axial angular contact ball bearing

Schaeffler ID:
0000659270000

Axial angular contact ball bearings
ZKLF..-2Z, double direction, for screw
mounting, gap seals on both sides

X-life

Technical information



Main Dimensions & Performance Data

| | | |
|-----------------------|-------------|---------------------------------------|
| d | 50 mm | Bore diameter |
| | 0 mm | Bore diameter upper tolerance |
| | -0,005 mm | Bore diameter lower tolerance |
| D | 140 mm | Outside diameter |
| | 0 mm | Outside diameter upper tolerance |
| | -0,01 mm | Outside diameter lower tolerance |
| B | 54 mm | Width |
| | 0 mm | Width upper tolerance |
| | -0,25 mm | Width lower tolerance |
| C _a | 125.000 N | Basic dynamic load rating, axial |
| C _{0a} | 250.000 N | Basic static load rating, axial |
| C _{ua} | 15.200 N | Fatigue load limit, axial |
| n _{G Grease} | 3.500 1/min | Limiting speed for grease lubrication |
| n _g | 2.500 1/min | Thermally safe operating speed |
| M _R | 1,3 Nm | Bearing frictional torque |
| ≈m | 4,404 kg | Weight |

Mounting dimensions

| | | |
|--------------------|--------|--|
| D _{a max} | 98 mm | Maximum diameter of housing |
| d _{a min} | 63 mm | Minimum diameter shaft |
| t ₁ | 0,2 mm | Position tolerance of bore in the housing |
| | M10 | Size of fixing screws |
| n _a | 12 | Number of holes in adjacent construction |
| t _a | 30 ° | Pitch separation angle of holes in adjacent construction |
| | M6 | Connection thread for lubrication |

