

ZKLF50115-2RS-XL

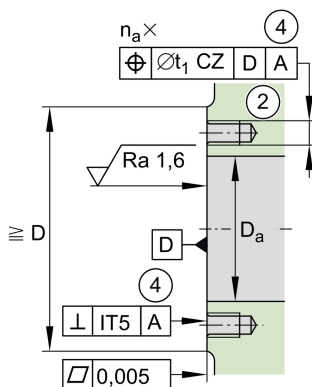
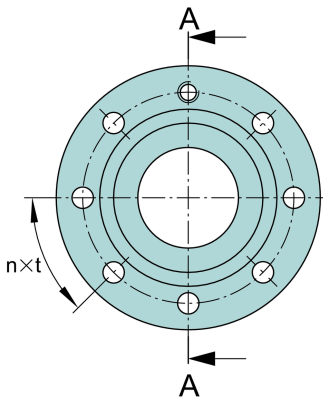
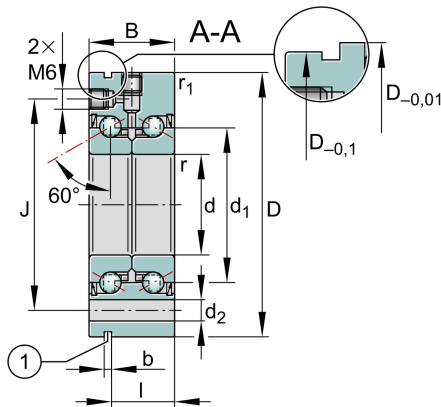
Axial angular contact ball bearing

Schaeffler ID:
0015722100000

Axial angular contact ball bearings
ZKLF..-2RS, double direction, for screw
mounting, lip seals on both sides

X-life

Technical information



Main Dimensions & Performance Data

d	50 mm	Bore diameter
	0 mm	Bore diameter upper tolerance
	-0,005 mm	Bore diameter lower tolerance
D	115 mm	Outside diameter
	0 mm	Outside diameter upper tolerance
	-0,01 mm	Outside diameter lower tolerance
B	34 mm	Width
	0 mm	Width upper tolerance
	-0,25 mm	Width lower tolerance
C_a	51.000 N	Basic dynamic load rating, axial
C_{0a}	126.000 N	Basic static load rating, axial
C_{ua}	7.700 N	Fatigue load limit, axial
$n_{G \text{ Grease}}$	3.200 1/min	Limiting speed for grease lubrication
n_g	1.500 1/min	Thermally safe operating speed
M_R	0,9 Nm	Bearing frictional torque
$\approx m$	1,785 kg	Weight

Mounting dimensions

$D_{a \text{ max}}$	82 mm	Maximum diameter of housing
$d_{a \text{ min}}$	63 mm	Minimum diameter shaft
t_1	0,2 mm	Position tolerance of bore in the housing
	M8	Size of fixing screws
n_a	6	Number of holes in adjacent construction
t_a	60 °	Pitch separation angle of holes in adjacent construction
	M6	Connection thread for lubrication

