

## ZKLF3590-2RS-XL

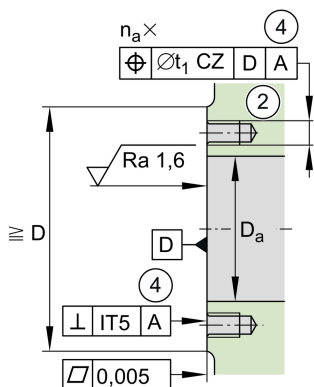
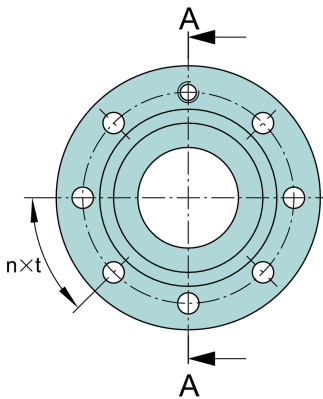
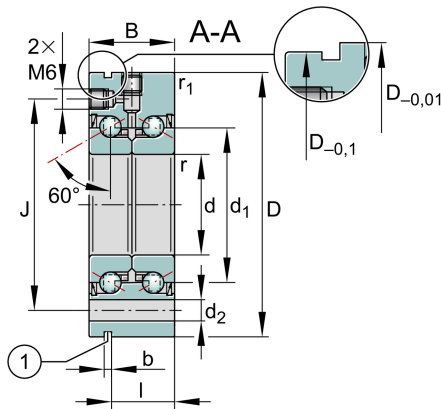
Axial angular contact ball bearing

Schaeffler ID:  
0000612630000

Axial angular contact ball bearings  
ZKLF..-2RS, double direction, for screw  
mounting, lip seals on both sides

X-life

### Technical information

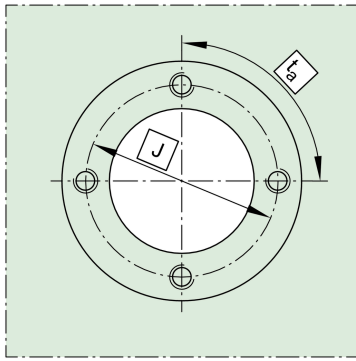
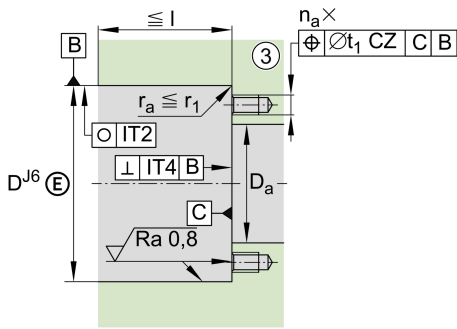


### Main Dimensions & Performance Data

d	35 mm	Bore diameter
	0 mm	Bore diameter upper tolerance
	-0,005 mm	Bore diameter lower tolerance
D	90 mm	Outside diameter
	0 mm	Outside diameter upper tolerance
	-0,01 mm	Outside diameter lower tolerance
B	34 mm	Width
	0 mm	Width upper tolerance
	-0,25 mm	Width lower tolerance
C <sub>a</sub>	45.000 N	Basic dynamic load rating, axial
C <sub>0a</sub>	89.000 N	Basic static load rating, axial
C <sub>ua</sub>	5.400 N	Fatigue load limit, axial
n <sub>G Grease</sub>	4.400 1/min	Limiting speed for grease lubrication
n <sub>g</sub>	2.000 1/min	Thermally safe operating speed
M <sub>R</sub>	0,6 Nm	Bearing frictional torque
≈m	1,171 kg	Weight

### Mounting dimensions

D <sub>a max</sub>	62 mm	Maximum diameter of housing
d <sub>a min</sub>	45 mm	Minimum diameter shaft
t <sub>1</sub>	0,2 mm	Position tolerance of bore in the housing
	M8	Size of fixing screws
n <sub>a</sub>	4	Number of holes in adjacent construction
t <sub>a</sub>	90 °	Pitch separation angle of holes in adjacent construction
	M6	Connection thread for lubrication



### Dimensions

$d_1$	52 mm	Rib diameter inner ring
$r_{\min}$	0,3 mm	Minimum chamfer dimension
$r_{1 \min}$	0,6 mm	Minimum chamfer dimension
J	75 mm	Pitch circle diameter fixing holes
$d_2$	8,8 mm	Fixing holes diameter
b	3 mm	Width of extraction slot
l	25 mm	Distance of extraction slot
n	8	Pitch quantity of fixing holes
t	45 °	Pitch separation angle of fixing holes
a	60 °	Contact angle

### Temperature range

$T_{\min}$	-30 °C	Operating temperature min.
$T_{\max}$	120 °C	Operating temperature max.

### Additional information

$c_{aL}$	900 N/μm	Rigidity axial
$c_{kL}$	400 Nm/mrad	Tilting rigidity
$M_m$	1,51 kg*cm <sup>2</sup>	Mass moment of inertia
	2,5 μm	Axial runout
	ZM35	Recommended INA precision locknut for radial locking
	AM35/58	Recommended INA precision locknut for axial locking
$M_A$	40 Nm	Tightening torque for the recommended INA precision locknut
	10.770 N	Required locknut force axial

