

## ZKLF30100-2RS-XL

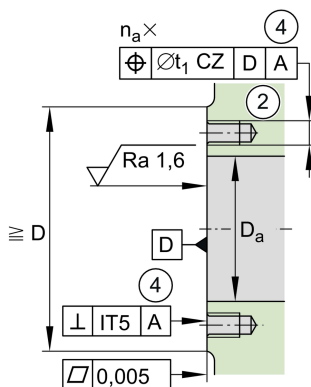
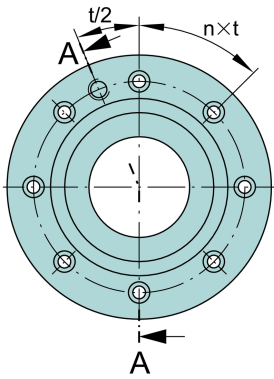
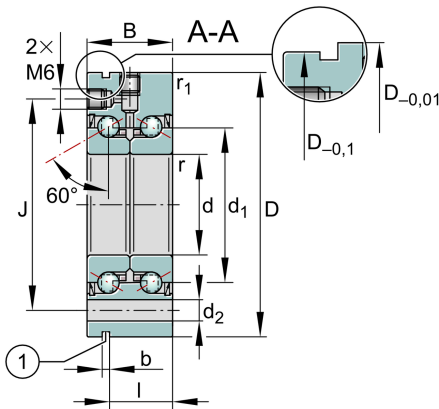
Axial angular contact ball bearing

Schaeffler ID:  
0005557700000

Axial angular contact ball bearings  
ZKLF..-2RS, double direction, for screw  
mounting, lip seals on both sides

X-life

### Technical information

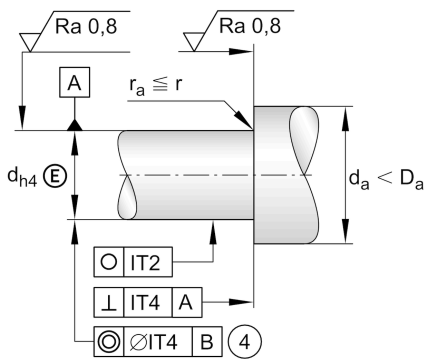
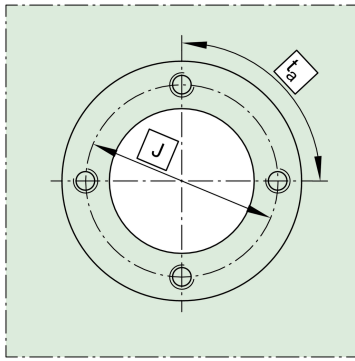
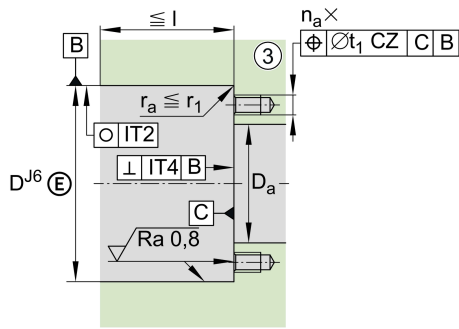


### Main Dimensions & Performance Data

d	30 mm	Bore diameter
	0 mm	Bore diameter upper tolerance
	-0,005 mm	Bore diameter lower tolerance
D	100 mm	Outside diameter
	0 mm	Outside diameter upper tolerance
	-0,01 mm	Outside diameter lower tolerance
B	38 mm	Width
	0 mm	Width upper tolerance
	-0,25 mm	Width lower tolerance
$C_a$	65.000 N	Basic dynamic load rating, axial
$C_{0a}$	108.000 N	Basic static load rating, axial
$C_{ua}$	6.500 N	Fatigue load limit, axial
$n_{G \text{ Grease}}$	4.500 1/min	Limiting speed for grease lubrication
$n_g$	2.100 1/min	Thermally safe operating speed
$M_R$	0,8 Nm	Bearing frictional torque
$\approx m$	1,684 kg	Weight

### Mounting dimensions

$D_{a \text{ max}}$	64 mm	Maximum diameter of housing
$d_{a \text{ min}}$	47 mm	Minimum diameter shaft
$t_1$	0,2 mm	Position tolerance of bore in the housing
	M8	Size of fixing screws
$n_a$	8	Number of holes in adjacent construction
$t_a$	45 °	Pitch separation angle of holes in adjacent construction
	M6	Connection thread for lubrication



### Dimensions

$d_1$	51 mm	Rib diameter inner ring
$r_{\min}$	0,3 mm	Minimum chamfer dimension
$r_{1 \min}$	0,6 mm	Minimum chamfer dimension
$J$	80 mm	Pitch circle diameter fixing holes
$d_2$	8,8 mm	Fixing holes diameter
$b$	3 mm	Width of extraction slot
$l$	30 mm	Distance of extraction slot
$n$	8	Pitch quantity of fixing holes
$t$	45 °	Pitch separation angle of fixing holes
$a$	60 °	Contact angle

### Temperature range

$T_{\min}$	-30 °C	Operating temperature min.
$T_{\max}$	120 °C	Operating temperature max.

### Additional information

$c_{aL}$	950 N/ $\mu\text{m}$	Rigidity axial
$c_{kL}$	400 Nm/mrad	Tilting rigidity
$M_m$	1,91 kg*cm <sup>2</sup>	Mass moment of inertia
	2,5 $\mu\text{m}$	Axial runout
	ZMA30/52	Recommended INA precision locknut for radial locking
	AM30	Recommended INA precision locknut for axial locking
$M_A$	65 Nm	Tightening torque for the recommended INA precision locknut
	19.509 N	Required locknut force axial