

## ZKLF2068-2Z-XL

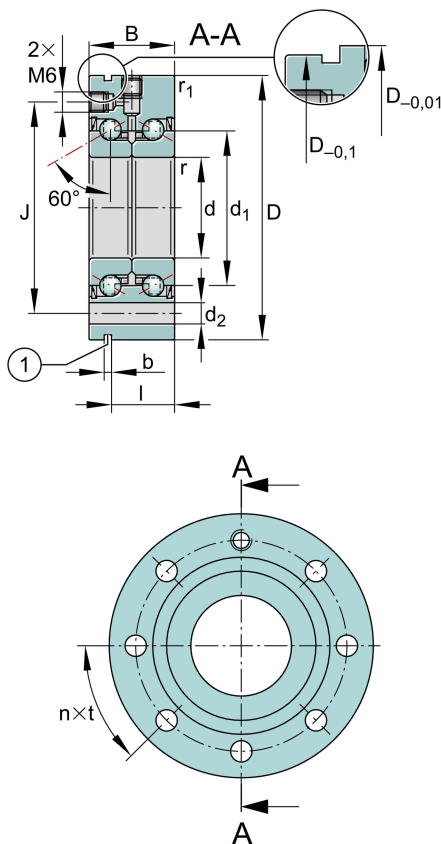
Axial angular contact ball bearing

Schaeffler ID:  
0015374820000

Axial angular contact ball bearings  
ZKLF..-2Z, double direction, for screw  
mounting, gap seals on both sides

X-life

### Technical information



### Main Dimensions & Performance Data

d	20 mm	Bore diameter
	0 mm	Bore diameter upper tolerance
	-0,005 mm	Bore diameter lower tolerance
D	68 mm	Outside diameter
	0 mm	Outside diameter upper tolerance
	-0,01 mm	Outside diameter lower tolerance
B	28 mm	Width
	0 mm	Width upper tolerance
	-0,25 mm	Width lower tolerance
C <sub>a</sub>	28.500 N	Basic dynamic load rating, axial
C <sub>0a</sub>	47.000 N	Basic static load rating, axial
C <sub>ua</sub>	2.850 N	Fatigue load limit, axial
n <sub>G Grease</sub>	8.700 1/min	Limiting speed for grease lubrication
n <sub>g</sub>	5.400 1/min	Thermally safe operating speed
M <sub>R</sub>	0,15 Nm	Bearing frictional torque
≈m	0,595 kg	Weight

### Mounting dimensions

D <sub>a max</sub>	43 mm	Maximum diameter of housing
d <sub>a min</sub>	25 mm	Minimum diameter shaft
t <sub>1</sub>	0,1 mm	Position tolerance of bore in the housing
	M6	Size of fixing screws
n <sub>a</sub>	4	Number of holes in adjacent construction
t <sub>a</sub>	90 °	Pitch separation angle of holes in adjacent construction
	M6	Connection thread for lubrication

