

## ZKLF1762-2Z-XL

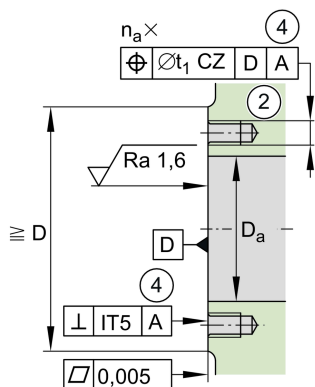
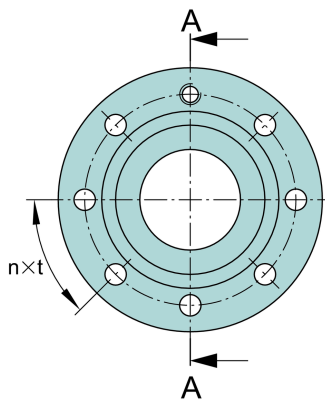
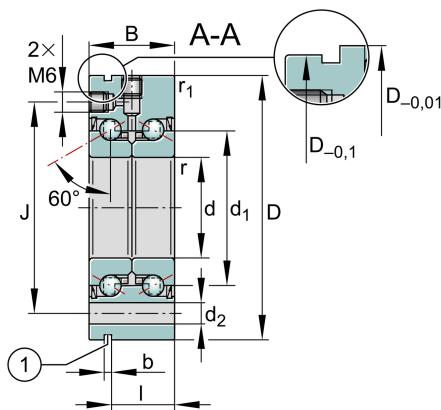
Axial angular contact ball bearing

Schaeffler ID:  
0015373000000

Axial angular contact ball bearings  
ZKLF..-2Z, double direction, for screw  
mounting, gap seals on both sides

X-life

### Technical information

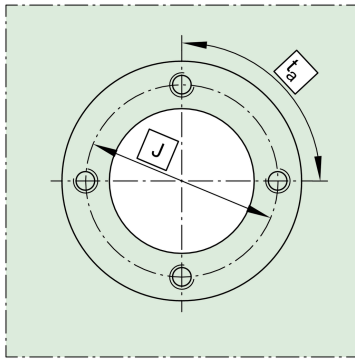
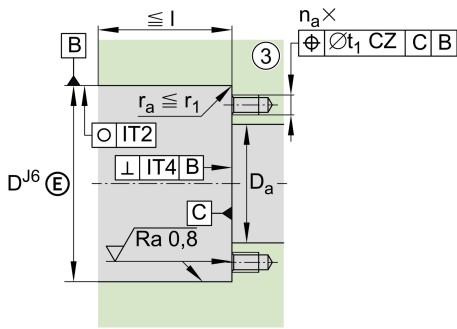


### Main Dimensions & Performance Data

d	17 mm	Bore diameter
	0 mm	Bore diameter upper tolerance
	-0,005 mm	Bore diameter lower tolerance
D	62 mm	Outside diameter
	0 mm	Outside diameter upper tolerance
	-0,01 mm	Outside diameter lower tolerance
B	25 mm	Width
	0 mm	Width upper tolerance
	-0,25 mm	Width lower tolerance
C <sub>a</sub>	20.800 N	Basic dynamic load rating, axial
C <sub>0a</sub>	31.500 N	Basic static load rating, axial
C <sub>ua</sub>	1.920 N	Fatigue load limit, axial
n <sub>G Grease</sub>	10.100 1/min	Limiting speed for grease lubrication
n <sub>g</sub>	6.600 1/min	Thermally safe operating speed
M <sub>R</sub>	0,12 Nm	Bearing frictional torque
≈m	0,457 kg	Weight

### Mounting dimensions

D <sub>a max</sub>	37 mm	Maximum diameter of housing
d <sub>a min</sub>	23 mm	Minimum diameter shaft
t <sub>1</sub>	0,1 mm	Position tolerance of bore in the housing
	M6	Size of fixing screws
n <sub>a</sub>	3	Number of holes in adjacent construction
t <sub>a</sub>	120 °	Pitch separation angle of holes in adjacent construction
	M6	Connection thread for lubrication



### Dimensions

$d_1$	30 mm	Rib diameter inner ring
$r_{min}$	0,3 mm	Minimum chamfer dimension
$r_{1 min}$	0,6 mm	Minimum chamfer dimension
J	48 mm	Pitch circle diameter fixing holes
$d_2$	6,8 mm	Fixing holes diameter
b	3 mm	Width of extraction slot
l	17 mm	Distance of extraction slot
n	6	Pitch quantity of fixing holes
t	60 °	Pitch separation angle of fixing holes
a	60 °	Contact angle

### Temperature range

$T_{min}$	-30 °C	Operating temperature min.
$T_{max}$	120 °C	Operating temperature max.

### Additional information

$c_{aL}$	450 N/μm	Rigidity axial
$c_{kL}$	80 Nm/mrad	Tilting rigidity
$M_m$	0,132 kg*cm <sup>2</sup>	Mass moment of inertia
	2 μm	Axial runout
	ZM17	Recommended INA precision locknut for radial locking
	AM17	Recommended INA precision locknut for axial locking
$M_A$	15 Nm	Tightening torque for the recommended INA precision locknut
	7.514 N	Required locknut force axial

