

ZKLF1255-2RS-XL

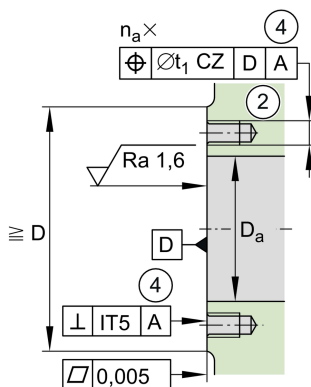
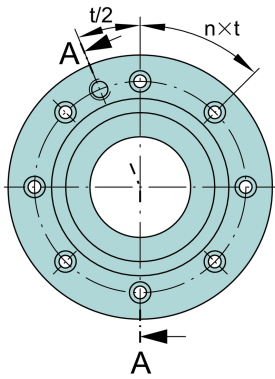
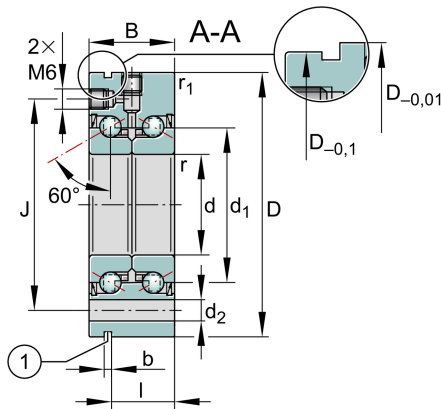
Axial angular contact ball bearing

Schaeffler ID:
0016004190000

Axial angular contact ball bearings
ZKLF..-2RS, double direction, for screw
mounting, lip seals on both sides

X-life

Technical information

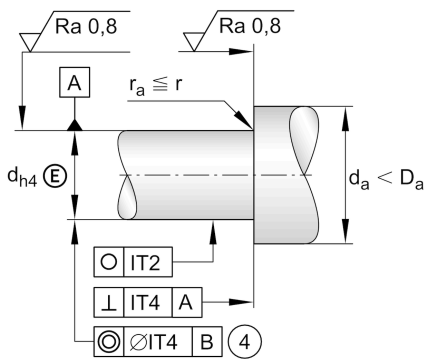
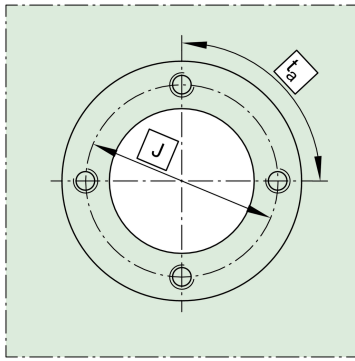
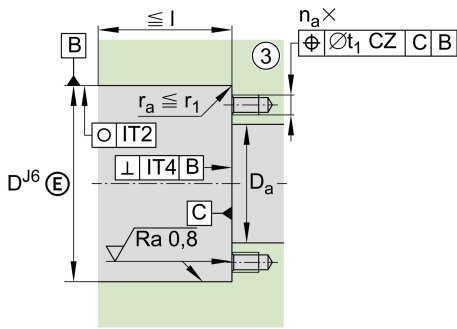


Main Dimensions & Performance Data

| | | |
|------------------------|-------------|---------------------------------------|
| d | 12 mm | Bore diameter |
| | 0 mm | Bore diameter upper tolerance |
| | -0,005 mm | Bore diameter lower tolerance |
| D | 55 mm | Outside diameter |
| | 0 mm | Outside diameter upper tolerance |
| | -0,01 mm | Outside diameter lower tolerance |
| B | 25 mm | Width |
| | 0 mm | Width upper tolerance |
| | -0,25 mm | Width lower tolerance |
| C_a | 18.800 N | Basic dynamic load rating, axial |
| C_{0a} | 25.000 N | Basic static load rating, axial |
| C_{ua} | 1.520 N | Fatigue load limit, axial |
| $n_{G \text{ Grease}}$ | 9.200 1/min | Limiting speed for grease lubrication |
| n_g | 3.800 1/min | Thermally safe operating speed |
| M_R | 0,16 Nm | Bearing frictional torque |
| $\approx m$ | 0,359 kg | Weight |

Mounting dimensions

| | | |
|---------------------|--------|--|
| $D_{a \text{ max}}$ | 33 mm | Maximum diameter of housing |
| $d_{a \text{ min}}$ | 16 mm | Minimum diameter shaft |
| t_1 | 0,1 mm | Position tolerance of bore in the housing |
| | M6 | Size of fixing screws |
| n_a | 3 | Number of holes in adjacent construction |
| t_a | 120 ° | Pitch separation angle of holes in adjacent construction |
| | M6 | Connection thread for lubrication |



Dimensions

| | | |
|--------------|--------|--|
| d_1 | 25 mm | Rib diameter inner ring |
| r_{\min} | 0,3 mm | Minimum chamfer dimension |
| $r_{1 \min}$ | 0,6 mm | Minimum chamfer dimension |
| J | 42 mm | Pitch circle diameter fixing holes |
| d_2 | 6,8 mm | Fixing holes diameter |
| b | 3 mm | Width of extraction slot |
| l | 17 mm | Distance of extraction slot |
| n | 3 | Pitch quantity of fixing holes |
| t | 120 ° | Pitch separation angle of fixing holes |
| a | 60 ° | Contact angle |

Temperature range

| | | |
|------------|--------|----------------------------|
| T_{\min} | -30 °C | Operating temperature min. |
| T_{\max} | 120 °C | Operating temperature max. |

Additional information

| | | |
|----------|--------------------------|---|
| c_{aL} | 375 N/μm | Rigidity axial |
| c_{kL} | 50 Nm/mrad | Tilting rigidity |
| M_m | 0,068 kg*cm ² | Mass moment of inertia |
| | 2 μm | Axial runout |
| | ZM12 | Recommended INA precision locknut for radial locking |
| M_A | 8 Nm | Tightening torque for the recommended INA precision locknut |
| | 5.307 N | Required locknut force axial |