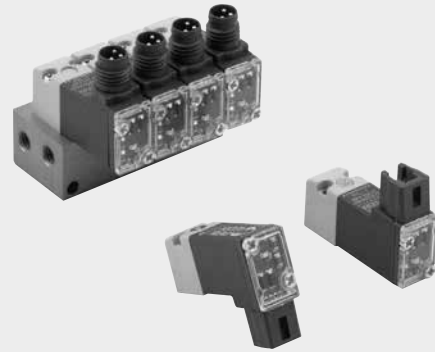


10-mm SOLENOID VALVES SERIES PLT-10



PLT-10 solenoid valves are the latest development in modern pneumatic design, where the main trends focus on miniaturisation, enhanced performance, reduced power and reliability. Numerous versions are available, all with an ISO 15218 pneumatic interface. The power required to operate the PLT-10 has been greatly reduced, ranging from 0.3 to 0.8 Watts. It is available with a LED indicating when it is active. Monostable manual control is also possible. None of the versions will get damaged if the polarity is accidentally inverted.



VALVES

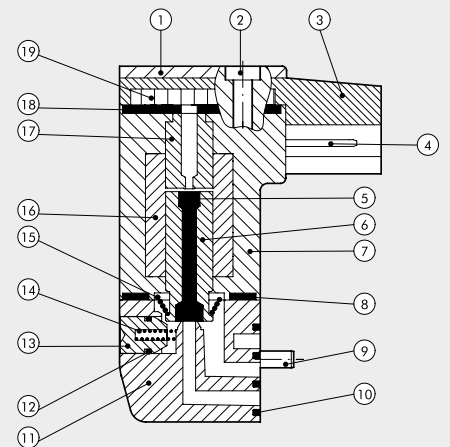
10-mm SOLENOID VALVES SERIES PLT-10

TECHNICAL DATA

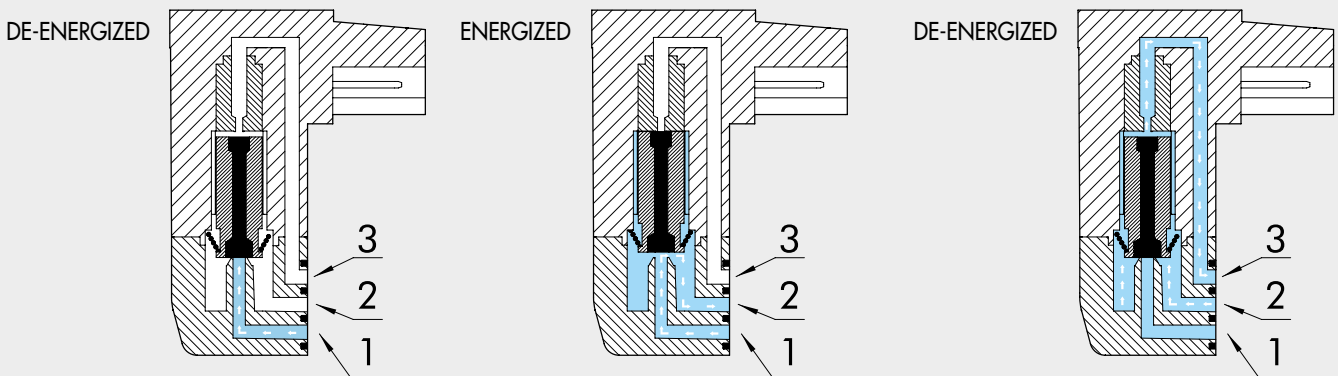
Type		3/2 NC
Operating temperature range (Te)	°C	5 to 50
Fluid temperature (Tg)	°C	5 to 50
Fluid		Filtered, lubricated or unlubricated air
Operating life		Over 50 million cycles
Weight	g	12
Voltage tolerance	ΔV	± 10 %
Max operating frequency	f	30 Hz
Switching factor	ED	100 %
Insulation class		F155
Index of protection		IP51 for PLUG-IN version IP65 for M8 version

COMPONENTS

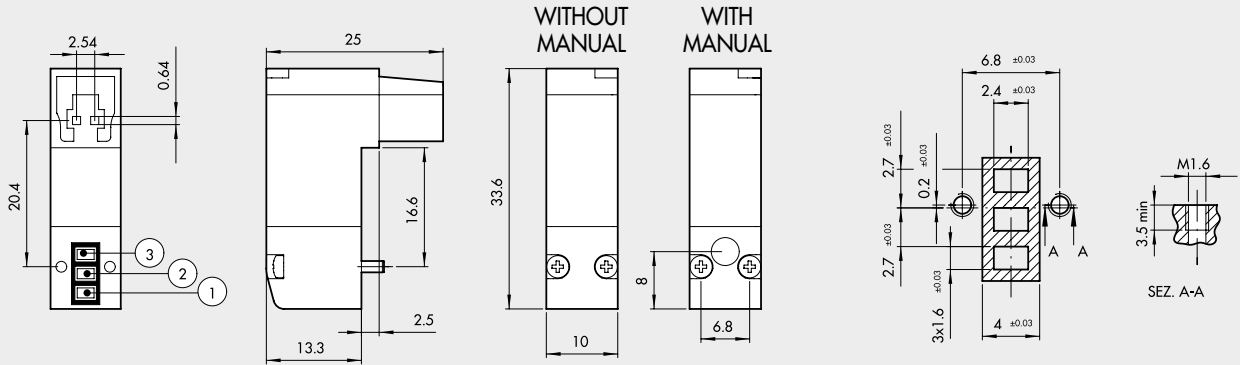
- ① TRANSPARENT COVER: PA612-transparent
- ② ASSEMBLY SCREWS: zinc-plated steel
- ③ COVER: PA66
- ④ PIN
- ⑤ MOBILE CORE OVER-STAMPING: FKM/FPM
- ⑥ MOBILE CORE: AISI 403F
- ⑦ COIL OVER-STAMPING: PA66
- ⑧ BODY-COIL GASKET: NBR70
- ⑨ ASSEMBLY SCREWS: zinc-plated steel
- ⑩ BODY GASKET: NBR
- ⑪ BODY: PA66
- ⑫ MANUAL GASKET: NBR (only for version with manual operated)
- ⑬ MANUAL CONTROL: AISI 303 (only for version with manual operated)
- ⑭ MANUAL SPRING: AISI 302 (only for version with manual operated)
- ⑮ SPRING: AISI 302
- ⑯ WINDING: PPS - Copper wire
- ⑰ FIXED CORE: AISI 430F
- ⑱ COIL-COVER GASKET: NBR
- ⑲ ELECTRONIC BOARD (only for version with electronic board)



OPERATING CHART

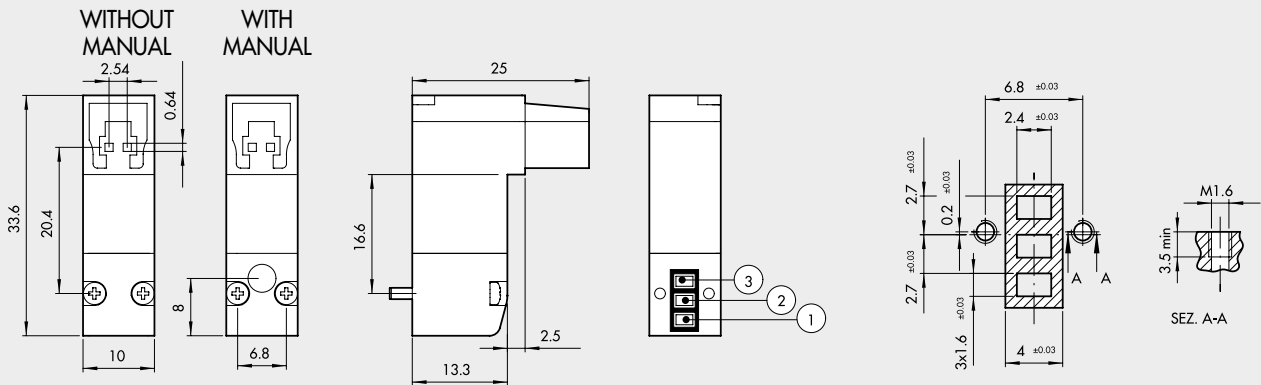


PLT-10 WITH BASE AND PLUG-IN CONNECTION ON THE SAME SIDE



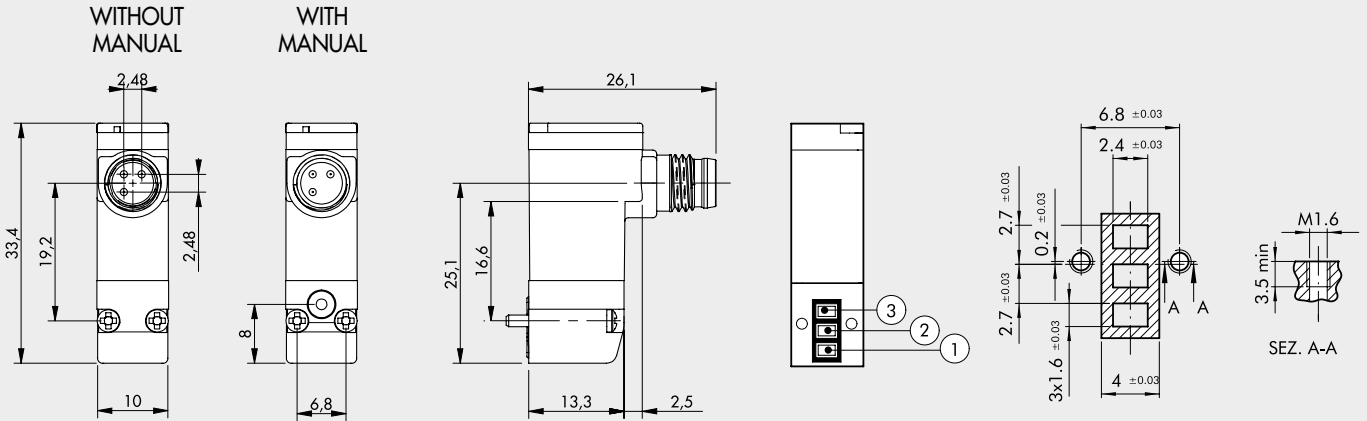
Version 3/2 NC	Code	Manual	Voltage [Volt]	Power [Watt]	Through Ø [mm]	Operating press. [bar]	Flow rate at 6 bar ΔP=1 bar [Nl/min]	Tmax coil a 24VDC Te 20°C α ED100% [°C]	Weight [g]
Without LED	722113330000	without	12 VDC	0.7	0.6	3 to 7	9	93	12
	722113330100	with	12 VDC	0.7	0.6	3 to 7	9	93	12
	722113340000	without	24 VDC	0.7	0.6	3 to 7	9	93	12
	722113340100	with	24 VDC	0.7	0.6	3 to 7	9	93	12
With LED	722113531000	without	12 VDC	0.8	0.6	3 to 7	9	93	12
	722113531100	with	12 VDC	0.8	0.6	3 to 7	9	93	12
	722113541000	without	24 VDC	0.8	0.6	3 to 7	9	93	12
	722113541100	with	24 VDC	0.8	0.6	3 to 7	9	93	12
SPEED-UP and LED	722116841000	without	24 VDC	3/0.3	1.2	2 to 7	16	51	12
	722116841100	with	24 VDC	3/0.3	1.2	2 to 7	16	51	12
	722116941000	without	24 VDC	4.2/0.7	1.2	2 to 7	30	51	12
	722116941100	with	24 VDC	4.2/0.7	1.2	2 to 7	30	51	12

PLT-10 WITH BASE AND PLUG-IN CONNECTION ON OPPOSITE SIDES



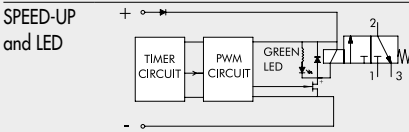
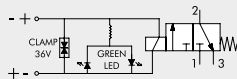
Version 3/2 NC	Code	Manuale	Voltage [Volt]	Power [Watt]	Through Ø [mm]	Operating press. [bar]	Flow rate at 6 bar ΔP=1 bar [Nl/min]	Tmax coil a 24VDC Te 20°C α ED100% [°C]	Weight [g]
Without LED	722213330000	without	12 VDC	0.7	0.6	3 to 7	9	93	12
	722213330100	with	12 VDC	0.7	0.6	3 to 7	9	93	12
	722213340000	without	24 VDC	0.7	0.6	3 to 7	9	93	12
	722213340100	with	24 VDC	0.7	0.6	3 to 7	9	93	12
With LED	722213531000	without	12 VDC	0.8	0.6	3 to 7	9	93	12
	722213531100	with	12 VDC	0.8	0.6	3 to 7	9	93	12
	722213541000	without	24 VDC	0.8	0.6	3 to 7	9	93	12
	722213541100	with	24 VDC	0.8	0.6	3 to 7	9	93	12
SPEED-UP e LED	722216841000	without	24 VDC	3/0.3	1.2	2 to 7	16	51	12
	722216841100	with	24 VDC	3/0.3	1.2	2 to 7	16	51	12
	722216941000	without	24 VDC	4.2/0.7	1.2	2 to 7	30	51	12
	722216941100	with	24 VDC	4.2/0.7	1.2	2 to 7	30	51	12

PLT-10 WITH BASE AND M8 CONNECTION ON OPPOSITE SIDES



- 1 Not used
- 3 0 V (Operation also with reverse polarity)
- 4 +24V

Version 3/2 NC	Code	Manual	Voltage [Volt]	Power [Watt]	Through Ø [mm]	Operating press. [bar]	Flow rate at 6 bar ΔP=1 bar [Nl/min]	Tmax coil a 24VDC Te 20°C α ED100% [°C]	Weight [g]
With LED	7222M3541000	without	24 VDC	0.8	0.6	3 to 7	9	93	12
	7222M3541100	with	24 VDC	0.8	0.6	3 to 7	9	93	12
SPEED-UP and LED	7222M6941000	without	24 VDC	4.2/0.7	1.2	2 to 7	30	51	12
	7222M6941100	with	24 VDC	4.2/0.7	1.2	2 to 7	30	51	12

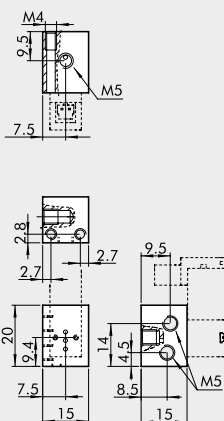


KEY TO CODES

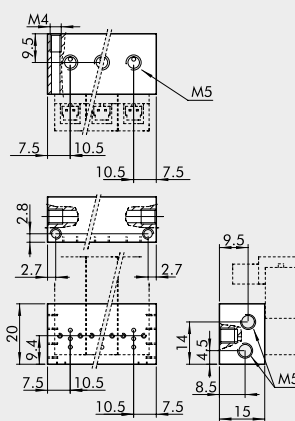
7 2 2	1	1	3	3	4	0	1	00
FAMILY	POSITIONING	POWER CONNECTION	Ø THROUGH	POWER	VOLTAGE	LED	MANUAL CONTROL	VERSION
Solenoid valves series "PLT-10"	1 Base and connection on same side	1 Plug-in	3 0.6 mm	3 0.7 W	3 12 VDC	0 -	0 -	00 Standard
	2 Base and connection opposite sides		6 1.2 mm	5 0.8 W	4 24 VDC	1 LED	1 Manual monostable	
	2 Base and connection opposite sides	M M8x1		8 3/0.3 W				
				9 4.2/0.7 W				
				5 0.8 W	4 24 VDC	1 LED		
				9 4.2/0.7 W				

MULTIPLE BASES FOR PLT-10

1 POSITION



+ POSITIONS

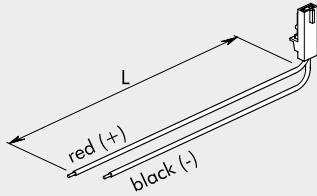


Code	Description
W0400100101	Base 1 position for PLT-10
W0400100102	Base 2 positions for PLT-10
W0400100103	Base 3 positions for PLT-10
W0400100104	Base 4 positions for PLT-10
W0400100105	Base 5 positions for PLT-10
W0400100106	Base 6 positions for PLT-10
W0400100107	Base 7 positions for PLT-10
W0400100108	Base 8 positions for PLT-10
W0400100109	Base 9 positions for PLT-10
W0400100110	Base 10 positions for PLT-10

N.B.: For multiple manifold bases with PLT-10 M8 connection, only use straight connectors code 02400A

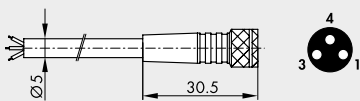
ACCESSORIES

PLUG-IN CONNECTOR



Code	Description
W0970512000	Mach 11 plug-in connector L = 300 mm
W0970512007	Mach 11 plug-in connector L = 1 m
W0970512002	Mach 11 plug-in connector L = 2 m

M8 STRAIGHT CONNECTOR WITH CABLE

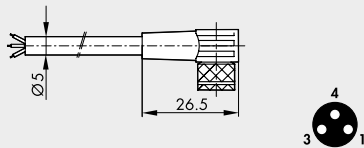


Pin	Cable color
1	Brown
3	Blue
4	Black

Code	Description
02400A0100	M8 female 3 PIN HIGH FLEX CL6 connector with cable L = 1 m
02400A0250	M8 female 3 PIN HIGH FLEX CL6 connector with cable L = 2.5 m
02400A0500	M8 female 3 PIN HIGH FLEX CL6 connector with cable L = 5 m
02400A1000	M8 female 3 PIN HIGH FLEX CL6 connector with cable L = 10 m

Mobile laying cable, class 6 according to IEC 60228

90° M8 CONNECTOR WITH CABLE



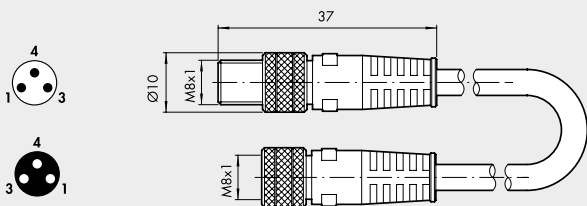
Pin	Cable color
1	Brown
3	Blue
4	Black

Code	Description
02400B0100	M8 female 3 PIN 90° HIGH FLEX CL6 connector with cable L = 1 m
02400B0250	M8 female 3 PIN 90° HIGH FLEX CL6 connector with cable L = 2.5 m
02400B0500	M8 female 3 PIN 90° HIGH FLEX CL6 connector with cable L = 5 m
02400B1000	M8 female 3 PIN 90° HIGH FLEX CL6 connector with cable L = 10 m

Mobile laying cable, class 6 according to IEC 60228

N.B.: cannot be used on multiple manifold bases W0400100__

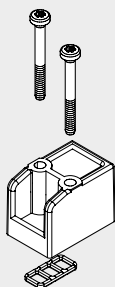
M8 M - M8 F CONNECTOR



Code	Description
024009009	M8-M8 3-pin straight connector with cable L = 3 m

Note: Can be used for direct connection to the modules with digital INPUT of the EB 80 and CM valves

CAP FOR UNUSED POSITION

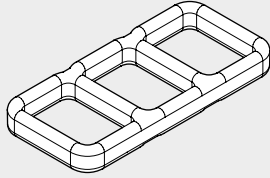


Code	Description	Weight [g]
W0400100200	Cap 10 mm	6

NOTES

SPARE PARTS

INTERFACE GASKET



Code	Description
0226009701	PLT-10 gasket

N.B.: 50 for pack

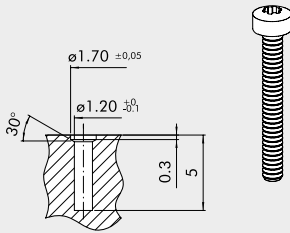
STANDARD SECURING SCREW (FOR ALUMINIUM)



Code	Description
0226009702	PLT-10 screw for aluminium

N.B.: 100 for pack

SECURING SCREWS FOR TECHNOPOLYMER



Code	Description
0226009703	Screw PLT-10 for technopolymer

N.B.: 100 for pack

When mounting on technopolymer bodies, use these screws instead of the ones supplied with the PLT-10.

ATTENTION: approximative dimensions for not added glass plastic materials It's always advisable to effect assembling tests.

NOTES