

FAG

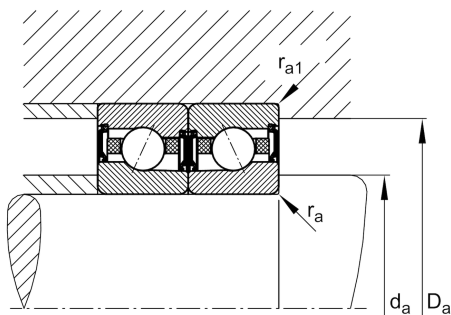
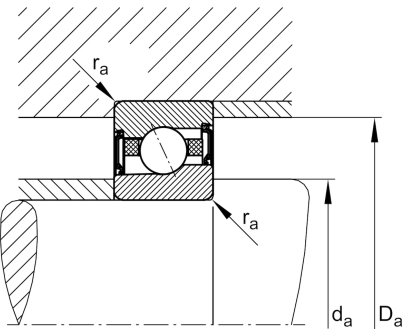
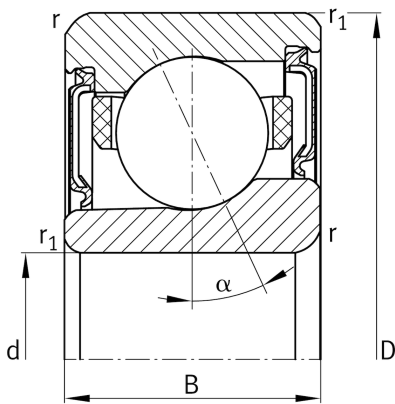
HCM71911-E-2RSD-T-P4S-UL-XL

Angular contact ball bearing

High speed spindle bearing HCM719...-E, adjusted, in pairs or sets, contact angle $\alpha = 25^\circ$, with ceramic balls, lip seals on both sides, non-contact, restricted tolerances

X-life

Technical information

**Main Dimensions & Performance Data**

| | | |
|------------------------|--------------|---------------------------------------|
| d | 55 mm | Bore diameter |
| D | 80 mm | Outside diameter |
| B | 13 mm | Width |
| C_r | 17.700 N | Basic dynamic load rating, radial |
| C_{0r} | 9.100 N | Basic static load rating, radial |
| C_{ur} | 730 N | Fatigue load limit, radial |
| $n_{G \text{ Grease}}$ | 28.000 1/min | Limiting speed for grease lubrication |
| $\approx m$ | 143,97 g | Weight |

Mounting dimensions

| | | |
|----------------------|---------|---|
| d_a | 60 mm | Diameter shaft shoulder |
| d_a | h12 | Diameter shaft shoulder clearance |
| D_a | 75,5 mm | Shoulder diameter outer ring |
| D_a | H12 | Shoulder diameter outer ring clearance |
| $r_{a \text{ max}}$ | 0,6 mm | Maximum recess radius |
| $r_{a1 \text{ max}}$ | 0,3 mm | Maximum recess radius |
| a | 22,2 mm | Distance between the apexes of the pressure cones |

Dimensions

| | | |
|---------------------|------------|---------------------------|
| r_{min} | 1 mm | Minimum chamfer dimension |
| $r_{1 \text{ min}}$ | 0,6 mm | Minimum chamfer dimension |
| α | 25° | Contact angle |

Temperature range

| | | |
|------------------|---------------------|----------------------------|
| T_{min} | -30°C | Operating temperature min. |
| T_{max} | 80°C | Operating temperature max. |



View product details on medias

21.05.2024, 15:26:03 CEST

SCHAEFFLER

Additional information

| | | |
|-----------|----------------------|-----------------------|
| F_{VL} | 106 N | Preload force light |
| F_{VM} | 277 N | Preload force medium |
| F_{VH} | 575 N | Preload force heavy |
| K_{aEL} | 303 N | Lift-off force light |
| K_{aEM} | 801 N | Lift-off force medium |
| K_{aEH} | 1.687 N | Lift-off force heavy |
| c_{aL} | 100 N/ μm | Axial rigidity light |
| c_{aM} | 140 N/ μm | Axial rigidity medium |
| c_{aH} | 183 N/ μm | Axial rigidity heavy |