

FAG

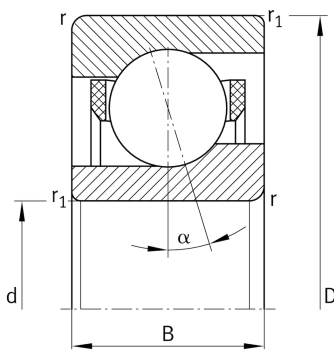
**HCM71910-E-T-P4S-UL-XL**

Angular contact ball bearing

High speed spindle bearing HCM719...-E, adjusted, in pairs or sets, contact angle  $\alpha = 25^\circ$ , with ceramic balls, restricted tolerances

X-life

## Technical information



## Main Dimensions &amp; Performance Data

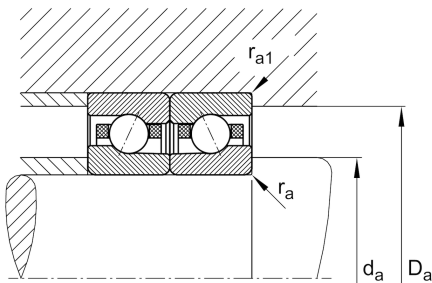
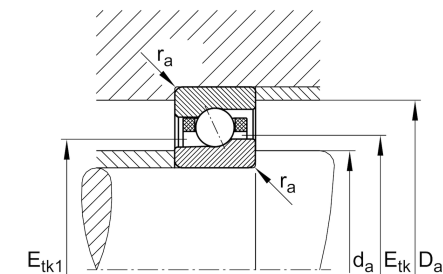
d	50 mm	Bore diameter
D	72 mm	Outside diameter
B	12 mm	Width
$C_r$	12.300 N	Basic dynamic load rating, radial
$C_{0r}$	6.400 N	Basic static load rating, radial
$C_{ur}$	520 N	Fatigue load limit, radial
$n_{G \text{ Grease}}$	32.000 1/min	Limiting speed for grease lubrication
$n_{G \text{ Oil}}$	45.000 1/min	Limiting speed for oil lubrication
$\approx m$	107,85 g	Weight

## Mounting dimensions

$d_a$	55 mm	Diameter shaft shoulder
$d_a$	h12	Diameter shaft shoulder clearance
$D_a$	67,5 mm	Shoulder diameter outer ring
$D_a$	H12	Shoulder diameter outer ring clearance
$r_{a \text{ max}}$	0,6 mm	Maximum recess radius
$r_{a1 \text{ max}}$	0,15 mm	Maximum recess radius
$E_{tk \text{ min}}$	57,2 mm	Minimum diameter injection pitch
$E_{tk \text{ max}}$	58,9 mm	Maximum diameter injection pitch
$E_{tk1 \text{ min}}$	54,8 mm	Minimum diameter injection pitch
$E_{tk1 \text{ max}}$	58,9 mm	Maximum diameter injection pitch
a	20,2 mm	Distance between the apexes of the pressure cones

## Dimensions

$r_{\text{min}}$	0,6 mm	Minimum chamfer dimension
$r_{1 \text{ min}}$	0,3 mm	Minimum chamfer dimension
$\alpha$	25 °	Contact angle





### Temperature range

$T_{\min}$	-30 °C	Operating temperature min.
$T_{\max}$	100 °C	Operating temperature max.

### Additional information

$F_{VL}$	75 N	Preload force light
$F_{VM}$	196 N	Preload force medium
$F_{VH}$	407 N	Preload force heavy
$K_{aEL}$	214 N	Lift-off force light
$K_{aEM}$	567 N	Lift-off force medium
$K_{aEH}$	1.194 N	Lift-off force heavy
$c_{aL}$	88 N/μm	Axial rigidity light
$c_{aM}$	123 N/μm	Axial rigidity medium
$c_{aH}$	161 N/μm	Axial rigidity heavy