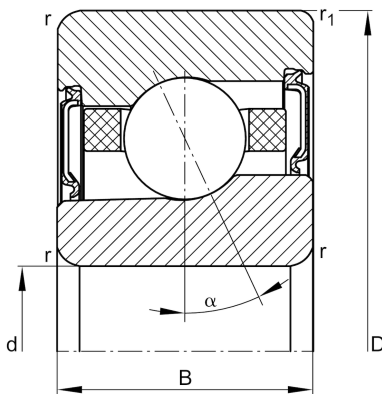
**FAG****HCM7015-C-2RSD-T-P4S-UL-XL**

Angular contact ball bearing

High speed spindle bearing HCM70..-C, adjusted, in pairs or sets, contact angle $\alpha = 17^\circ$, with ceramic balls, lip seals on both sides, non-contact, restricted tolerances

Technical information

**Main Dimensions & Performance Data**

d	75 mm	Bore diameter
D	115 mm	Outside diameter
B	20 mm	Width
C_r	28.000 N	Basic dynamic load rating, radial
C_{0r}	16.600 N	Basic static load rating, radial
C_{ur}	1.330 N	Fatigue load limit, radial
$n_{G \text{ Grease}}$	22.000 1/min	Limiting speed for grease lubrication
$\approx m$	0,65 kg	Weight

Mounting dimensions

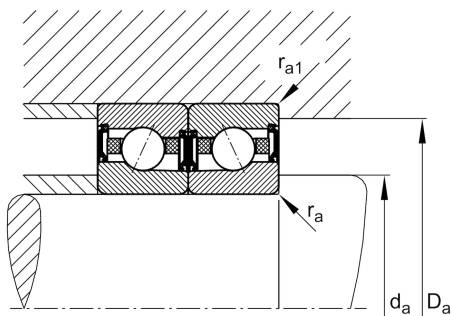
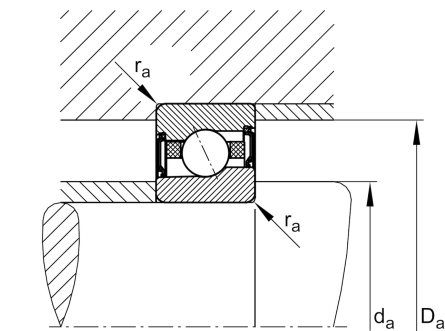
d_a	82 mm	Diameter shaft shoulder
d_a	h12	Diameter shaft shoulder clearance
D_a	107 mm	Shoulder diameter outer ring
D_a	H12	Shoulder diameter outer ring clearance
$r_{a \text{ max}}$	1 mm	Maximum recess radius
$r_{a1 \text{ max}}$	0,6 mm	Maximum recess radius
a	24,5 mm	Distance between the apexes of the pressure cones

Dimensions

r_{min}	1,1 mm	Minimum chamfer dimension
$r_{1 \text{ min}}$	0,6 mm	Minimum chamfer dimension
α	17°	Contact angle

Temperature range

T_{min}	-30°C	Operating temperature min.
T_{max}	80°C	Operating temperature max.





Additional information

F_{VL}	128 N	Preload force light
F_{VM}	338 N	Preload force medium
F_{VH}	709 N	Preload force heavy
K_{aEL}	373 N	Lift-off force light
K_{aEM}	1.006 N	Lift-off force medium
K_{aEH}	2.173 N	Lift-off force heavy
c_{aL}	71 N/ μm	Axial rigidity light
c_{aM}	102 N/ μm	Axial rigidity medium
c_{aH}	137 N/ μm	Axial rigidity heavy