

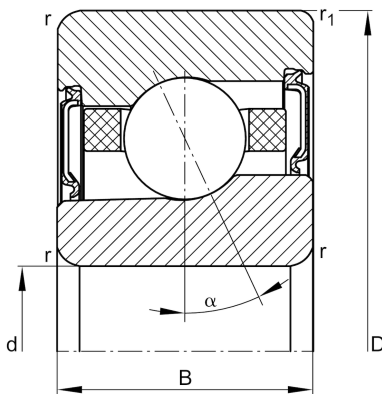
FAG

HCM7013-C-2RSD-T-P4S-UL-XL

Angular contact ball bearing

High speed spindle bearing HCM70..-C, adjusted, in pairs or sets, contact angle $\alpha = 17^\circ$, with ceramic balls, lip seals on both sides, non-contact, restricted tolerances

Technical information



Main Dimensions & Performance Data

d	65 mm	Bore diameter
D	100 mm	Outside diameter
B	18 mm	Width
C_r	20.100 N	Basic dynamic load rating, radial
C_{0r}	11.600 N	Basic static load rating, radial
C_{ur}	940 N	Fatigue load limit, radial
$n_{G \text{ Grease}}$	24.000 1/min	Limiting speed for grease lubrication
$\approx m$	422,5 g	Weight

Mounting dimensions

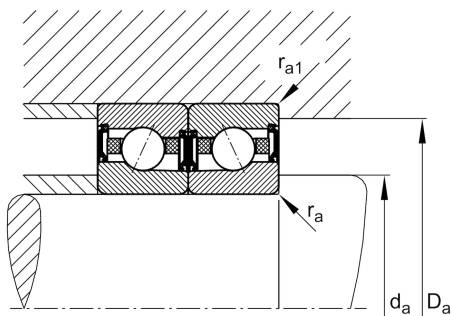
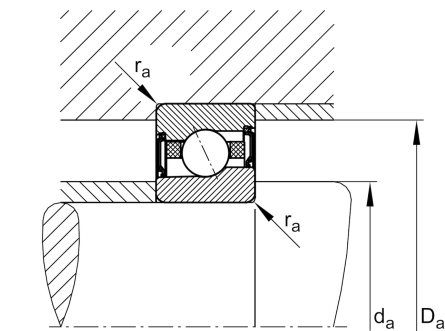
d_a	72 mm	Diameter shaft shoulder
d_a	h12	Diameter shaft shoulder clearance
D_a	93 mm	Shoulder diameter outer ring
D_a	H12	Shoulder diameter outer ring clearance
$r_{a \text{ max}}$	1 mm	Maximum recess radius
$r_{a1 \text{ max}}$	0,6 mm	Maximum recess radius
a	21,6 mm	Distance between the apexes of the pressure cones

Dimensions

r_{min}	1,1 mm	Minimum chamfer dimension
$r_{1 \text{ min}}$	0,6 mm	Minimum chamfer dimension
α	17°	Contact angle

Temperature range

T_{min}	-30 °C	Operating temperature min.
T_{max}	80 °C	Operating temperature max.





View product details on medias

17.05.2024, 15:05:50 CEST

SCHAEFFLER

Additional information

F_{VL}	90 N	Preload force light
F_{VM}	237 N	Preload force medium
F_{VH}	498 N	Preload force heavy
K_{aEL}	262 N	Lift-off force light
K_{aEM}	707 N	Lift-off force medium
K_{aEH}	1.528 N	Lift-off force heavy
c_{aL}	59 N/ μm	Axial rigidity light
c_{aM}	85 N/ μm	Axial rigidity medium
c_{aH}	115 N/ μm	Axial rigidity heavy