

FAG

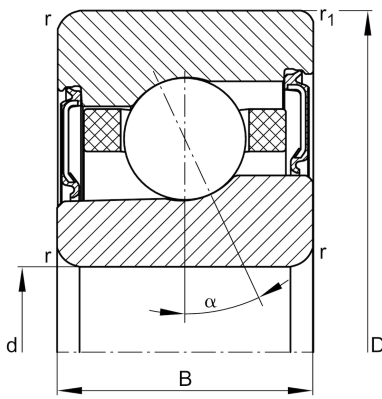
**HCM7011-E-2RSD-T-P4S-UL-XL**

Angular contact ball bearing

High speed spindle bearing HCM70..-E, adjusted, in pairs or sets, contact angle  $\alpha = 25^\circ$ , with ceramic balls, lip seals on both sides, non-contact, restricted tolerances

X-life

## Technical information

**Main Dimensions & Performance Data**

d	55 mm	Bore diameter
D	90 mm	Outside diameter
B	18 mm	Width
$C_r$	18.600 N	Basic dynamic load rating, radial
$C_{0r}$	10.000 N	Basic static load rating, radial
$C_{ur}$	810 N	Fatigue load limit, radial
$n_{G \text{ Grease}}$	26.000 1/min	Limiting speed for grease lubrication
$\approx m$	374,4 g	Weight

**Mounting dimensions**

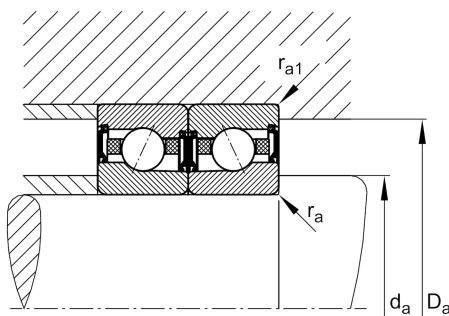
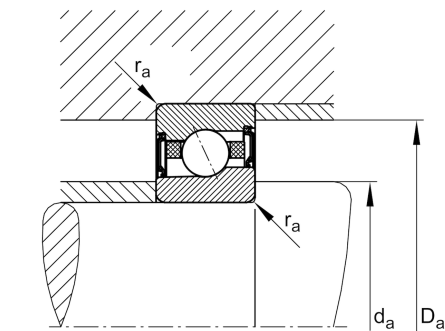
$d_a$	62 mm	Diameter shaft shoulder
$d_a$	h12	Diameter shaft shoulder clearance
$D_a$	83 mm	Shoulder diameter outer ring
$D_a$	H12	Shoulder diameter outer ring clearance
$r_{a \text{ max}}$	1 mm	Maximum recess radius
$r_{a1 \text{ max}}$	0,6 mm	Maximum recess radius
a	25,9 mm	Distance between the apexes of the pressure cones

**Dimensions**

$r_{\text{min}}$	1,1 mm	Minimum chamfer dimension
$r_{1 \text{ min}}$	0,6 mm	Minimum chamfer dimension
$\alpha$	$25^\circ$	Contact angle

**Temperature range**

$T_{\text{min}}$	$-30^\circ\text{C}$	Operating temperature min.
$T_{\text{max}}$	$80^\circ\text{C}$	Operating temperature max.





View product details on medias

17.05.2024, 15:28:36 CEST

SCHAEFFLER

#### Additional information

$F_{VL}$	117 N	Preload force light
$F_{VM}$	306 N	Preload force medium
$F_{VH}$	637 N	Preload force heavy
$K_{aEL}$	335 N	Lift-off force light
$K_{aEM}$	887 N	Lift-off force medium
$K_{aEH}$	1.869 N	Lift-off force heavy
$c_{aL}$	110 N/ $\mu\text{m}$	Axial rigidity light
$c_{aM}$	154 N/ $\mu\text{m}$	Axial rigidity medium
$c_{aH}$	201 N/ $\mu\text{m}$	Axial rigidity heavy