

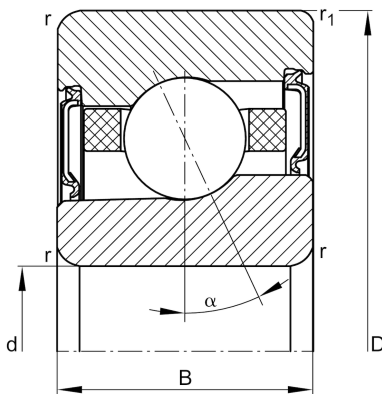
FAG

HCM7010-C-2RSD-T-P4S-UL-XL

Angular contact ball bearing

High speed spindle bearing HCM70..-C, adjusted, in pairs or sets, contact angle $\alpha = 17^\circ$, with ceramic balls, lip seals on both sides, non-contact, restricted tolerances

Technical information



Main Dimensions & Performance Data

d	50 mm	Bore diameter
D	80 mm	Outside diameter
B	16 mm	Width
C_r	13.100 N	Basic dynamic load rating, radial
C_{0r}	7.100 N	Basic static load rating, radial
C_{ur}	570 N	Fatigue load limit, radial
$n_{G \text{ Grease}}$	32.000 1/min	Limiting speed for grease lubrication
$\approx m$	255,78 g	Weight

Mounting dimensions

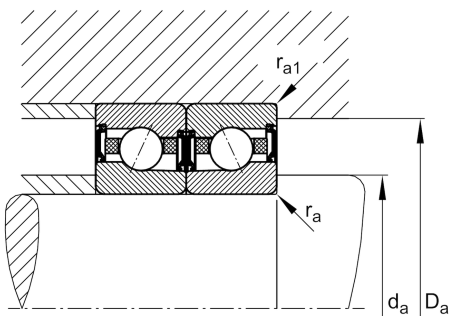
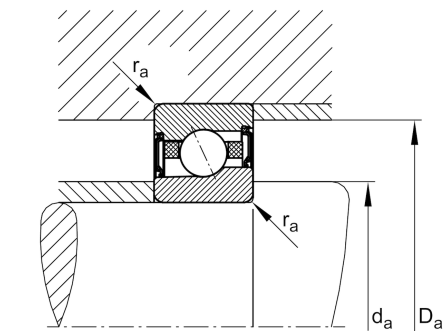
d_a	56 mm	Diameter shaft shoulder
d_a	h12	Diameter shaft shoulder clearance
D_a	74 mm	Shoulder diameter outer ring
D_a	H12	Shoulder diameter outer ring clearance
$r_{a \text{ max}}$	1 mm	Maximum recess radius
$r_{a1 \text{ max}}$	0,3 mm	Maximum recess radius
a	17,9 mm	Distance between the apexes of the pressure cones

Dimensions

r_{min}	1 mm	Minimum chamfer dimension
$r_{1 \text{ min}}$	0,6 mm	Minimum chamfer dimension
α	17°	Contact angle

Temperature range

T_{min}	-30 °C	Operating temperature min.
T_{max}	80 °C	Operating temperature max.





View product details on medias

17.05.2024, 15:04:30 CEST

SCHAEFFLER

Additional information

F_{VL}	55 N	Preload force light
F_{VM}	144 N	Preload force medium
F_{VH}	303 N	Preload force heavy
K_{aEL}	159 N	Lift-off force light
K_{aEM}	430 N	Lift-off force medium
K_{aEH}	928 N	Lift-off force heavy
c_{aL}	45 N/ μm	Axial rigidity light
c_{aM}	65 N/ μm	Axial rigidity medium
c_{aH}	88 N/ μm	Axial rigidity heavy