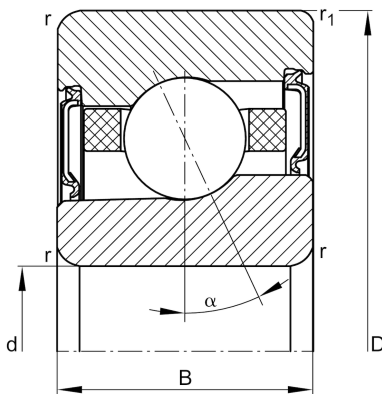
**FAG****HCM7005-C-2RSD-T-P4S-UL-XL**

Angular contact ball bearing

High speed spindle bearing HCM70.-C, adjusted, in pairs or sets, contact angle $\alpha = 17^\circ$, with ceramic balls, lip seals on both sides, non-contact, restricted tolerances

Technical information

**Main Dimensions & Performance Data**

| | | |
|------------------------|--------------|---------------------------------------|
| d | 25 mm | Bore diameter |
| D | 47 mm | Outside diameter |
| B | 12 mm | Width |
| C_r | 8.000 N | Basic dynamic load rating, radial |
| C_{0r} | 3.150 N | Basic static load rating, radial |
| C_{ur} | 250 N | Fatigue load limit, radial |
| $n_{G \text{ Grease}}$ | 56.000 1/min | Limiting speed for grease lubrication |
| $\approx m$ | 72,72 g | Weight |

Mounting dimensions

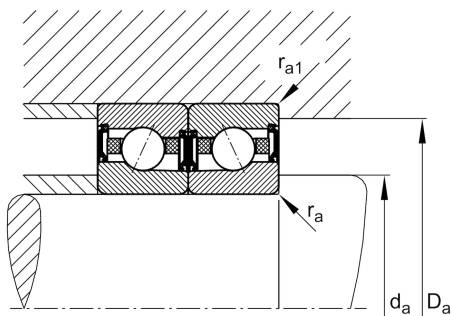
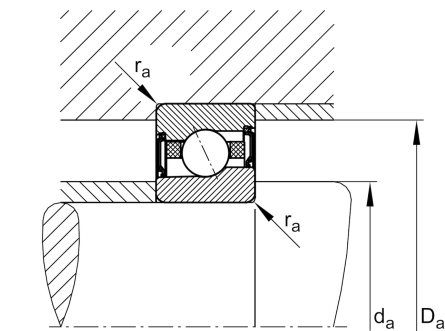
| | | |
|----------------------|---------|---|
| d_a | 30 mm | Diameter shaft shoulder |
| d_a | h12 | Diameter shaft shoulder clearance |
| D_a | 42 mm | Shoulder diameter outer ring |
| D_a | H12 | Shoulder diameter outer ring clearance |
| $r_{a \text{ max}}$ | 0,6 mm | Maximum recess radius |
| $r_{a1 \text{ max}}$ | 0,3 mm | Maximum recess radius |
| a | 11,5 mm | Distance between the apexes of the pressure cones |

Dimensions

| | | |
|---------------------|------------|---------------------------|
| r_{min} | 0,6 mm | Minimum chamfer dimension |
| $r_{1 \text{ min}}$ | 0,3 mm | Minimum chamfer dimension |
| α | 17° | Contact angle |

Temperature range

| | | |
|------------------|--------|----------------------------|
| T_{min} | -30 °C | Operating temperature min. |
| T_{max} | 80 °C | Operating temperature max. |





View product details on medias

17.05.2024, 15:01:24 CEST

SCHAEFFLER

Additional information

| | | |
|-----------|---------------------|-----------------------|
| F_{VL} | 24 N | Preload force light |
| F_{VM} | 64 N | Preload force medium |
| F_{VH} | 133 N | Preload force heavy |
| K_{aEL} | 70 N | Lift-off force light |
| K_{aEM} | 189 N | Lift-off force medium |
| K_{aEH} | 407 N | Lift-off force heavy |
| c_{aL} | 24 N/ μm | Axial rigidity light |
| c_{aM} | 34 N/ μm | Axial rigidity medium |
| c_{aH} | 46 N/ μm | Axial rigidity heavy |