



GLCTE30-XL

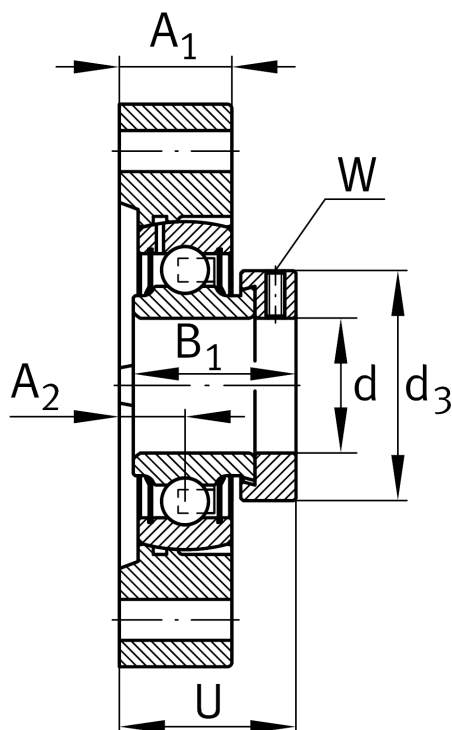
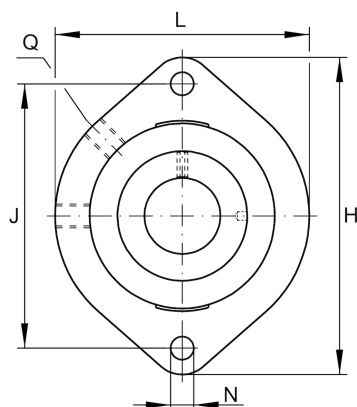
Flanged housing unit

Schaeffler ID:
0008313600000

Housing units GLCTE, two-bolt flanged housing units, cast iron, eccentric locking collar, P seals

X-life

Technical information



Main Dimensions & Performance Data

d	30 mm	Bore diameter
L	84 mm	Flange width
H	112.5 mm	Height flange
U	38.1 mm	Total height unit
C_r	19,500 N	Basic dynamic load rating, radial
C_{0r}	11,300 N	Basic static load rating, radial
C_{ur}	480 N	Fatigue load limit, radial
	0.75 kg	Weight

Mounting dimensions

J	90.5 mm	Distance fixing bore
N	11.5 mm	Fixing bore
n	2	Number of screwing holes

Dimensions

A_1	22.5 mm	Thickness of flange
A_2	11.4 mm	Distance raceway
B_1	35.8 mm	Locking collar total width
Q	M6	Connection thread lubrication
d_3	44 mm	Outside diameter eccentric locking collar

Additional information

	1	Number of housings
	GLCTE06	Housing
	GRAE30-XL-NPP-B	Bearing designation