

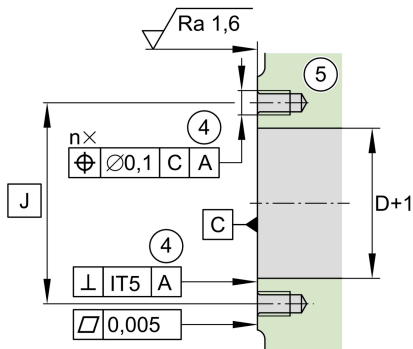
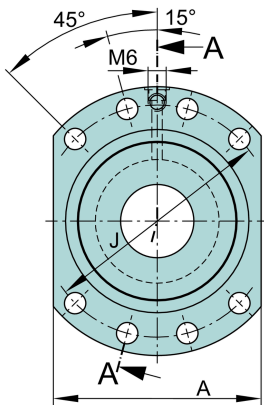
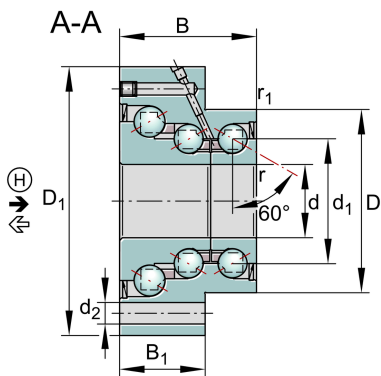
DKLFA40140-2RS

Axial angular contact ball bearing

Schaeffler ID:
0068571670000

Angular contact ball bearing units
DKLFA..-2RS, double direction, for screw
mounting, lip seals on both sides, with
flattened flange

Technical information

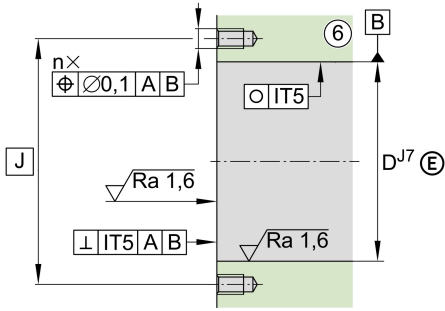


Main Dimensions & Performance Data

d	40 mm	Bore diameter
	0 mm	Bore diameter upper tolerance
	-0,01 mm	Bore diameter lower tolerance
D	90 mm	Outside diameter
	0 mm	Outside diameter upper tolerance
	-0,013 mm	Outside diameter lower tolerance
B	60 mm	Width
	0 mm	Width upper tolerance
	-0,25 mm	Width lower tolerance
C_a	127.000 N	Basic dynamic load rating, axial HL
C_a	72.000 N	Basic dynamic load rating, axial
C_{0a}	365.000 N	Basic static load rating, axial HL
C_{0a}	149.000 N	Basic static load rating, axial
C_{ua}	9.500 N	Fatigue load limit, axial HL
C_{ua}	6.600 N	Fatigue load limit, axial
$n_{G \text{ Grease}}$	2.900 1/min	Limiting speed for grease lubrication
n_g	1.200 1/min	Thermally permissible speed
$\approx m$	3,48 kg	Weight

Mounting dimensions

$d_{a \min}$	56 mm	Minimum diameter shaft shoulder
$d_{a \max}$	80 mm	Maximum diameter of shaft shoulder
	M10	Fixing screws DIN EN ISO 4762 10.9 (not included)
n	8	Number of screws



Dimensions

d_1	65 mm	Rib diameter inner ring
D_1	140 mm	Flange diameter
r_{\min}	0,3 mm	Minimum chamfer dimension
$r_{1 \min}$	0,6 mm	Minimum chamfer dimension 1
B_1	35 mm	Thickness of flange
d_2	11 mm	Fixing boring diameter
J	118 mm	Pitch circle diameter (holes)
A	110 mm	Flange width

Temperature range

T_{\min}	-30 °C	Operating temperature min.
T_{\max}	120 °C	Operating temperature max.

Additional information

M_{RL}	2,5 Nm	Bearing friction torque
c_{aL}	1.800 N/μm	Rigidity axial
c_{aL}	2.000 N/μm	Rigidity axial (HL)
c_{kL}	1.370 Nm/mrad	Tilting stiffness
	5 μm	Axial runout
M_m	9,32 kg*cm ²	Mass moment of inertia
(3) r	ZM45	recommended INA precision locknut for radial locking 3
(1), (2) r	AM40/85	recommended INA precision locknut for axial locking 1,2
M_A	110 Nm	Tightening torque nut
(1), (2) a	26.600 N	required locknut force axial 1

