

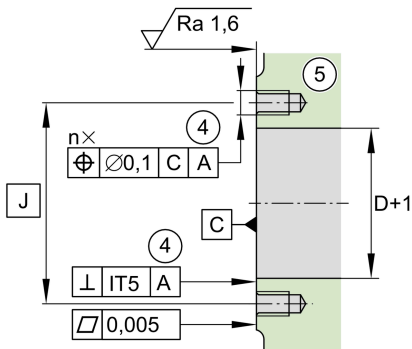
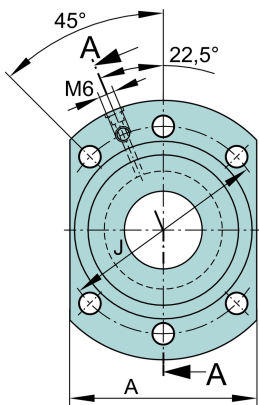
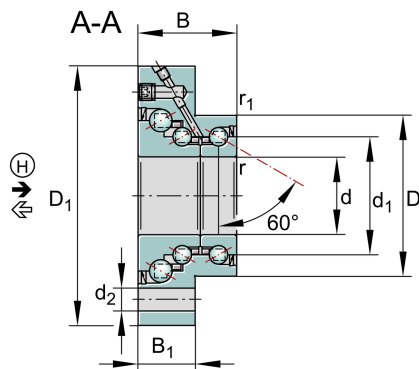
## DKLFA30100-2RS

Axial angular contact ball bearing

Schaeffler ID:  
0025079780000

Angular contact ball bearing units  
DKLFA..-2RS, double direction, for screw  
mounting, lip seals on both sides, with  
flattened flange

### Technical information

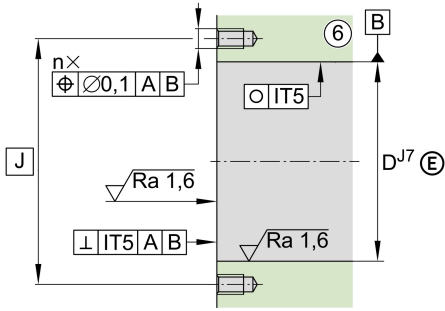


### Main Dimensions & Performance Data

d	30 mm	Bore diameter
	0 mm	Bore diameter upper tolerance
	-0,01 mm	Bore diameter lower tolerance
D	62 mm	Outside diameter
	0 mm	Outside diameter upper tolerance
	-0,013 mm	Outside diameter lower tolerance
B	38 mm	Width
	0 mm	Width upper tolerance
	-0,25 mm	Width lower tolerance
$C_a$	56.000 N	Basic dynamic load rating, axial HL
$C_a$	29.000 N	Basic dynamic load rating, axial
$C_{0a}$	165.000 N	Basic static load rating, axial HL
$C_{0a}$	64.000 N	Basic static load rating, axial
$C_{ua}$	4.450 N	Fatigue load limit, axial HL
$C_{ua}$	2.800 N	Fatigue load limit, axial
$n_{G \text{ Grease}}$	4.000 1/min	Limiting speed for grease lubrication
$n_g$	1.800 1/min	Thermally permissible speed
$\approx m$	1,03 kg	Weight

### Mounting dimensions

$d_{a \text{ min}}$	40 mm	Minimum diameter shaft shoulder
$d_{a \text{ max}}$	53 mm	Maximum diameter of shaft shoulder
	M8	Fixing screws DIN EN ISO 4762 10.9 (not included)
n	6	Number of screws



### Dimensions

$d_1$	45,5 mm	Rib diameter inner ring
$D_1$	100 mm	Flange diameter
$r_{min}$	0,3 mm	Minimum chamfer dimension
$r_{1 min}$	0,6 mm	Minimum chamfer dimension 1
$B_1$	22 mm	Thickness of flange
$d_2$	8,8 mm	Fixing boring diameter
J	80 mm	Pitch circle diameter (holes)
A	72 mm	Flange width

### Temperature range

$T_{min}$	-30 °C	Operating temperature min.
$T_{max}$	120 °C	Operating temperature max.

### Additional information

$M_{RL}$	0,75 Nm	Bearing friction torque
$c_{aL}$	900 N/μm	Rigidity axial
$c_{aL}$	1.400 N/μm	Rigidity axial (HL)
$c_{kL}$	500 Nm/mrad	Tilting stiffness
	5 μm	Axial runout
$M_m$	1,7 kg*cm <sup>2</sup>	Mass moment of inertia
	ZMA30/52	recommended INA precision locknut for radial locking 1,2
(3) r	ZM35	recommended INA precision locknut for radial locking 3
(1), (2) r	AM30	recommended INA precision locknut for axial locking 1,2
$M_A$	32 Nm	Tightening torque nut
(1), (2) a	10.350 N	required locknut force axial 1

