

DKLFA1575-2RS

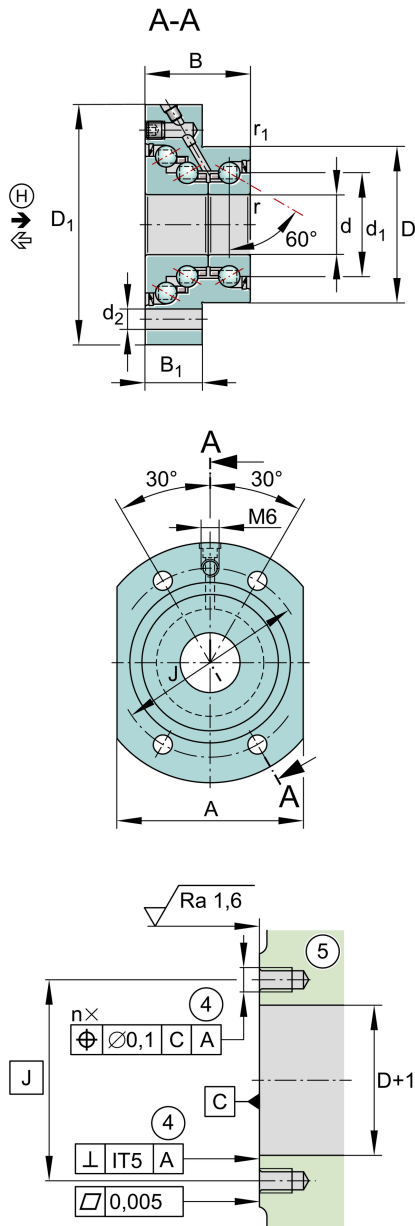
Axial angular contact ball bearing

Schaeffler ID:
0025079350000

Angular contact ball bearing units
DKLFA..-2RS, double direction, for screw
mounting, lip seals on both sides, with
flattened flange

Technical information

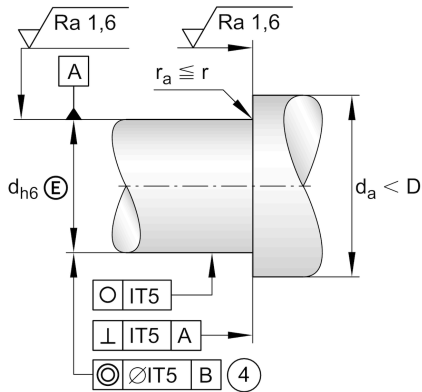
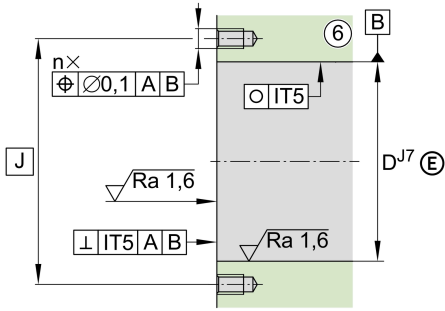
Main Dimensions & Performance Data



d	15 mm	Bore diameter
	0 mm	Bore diameter upper tolerance
	-0,01 mm	Bore diameter lower tolerance
D	45 mm	Outside diameter
	0 mm	Outside diameter upper tolerance
	-0,013 mm	Outside diameter lower tolerance
B	32 mm	Width
	0 mm	Width upper tolerance
	-0,25 mm	Width lower tolerance
C_a	37.000 N	Basic dynamic load rating, axial HL
C_a	17.900 N	Basic dynamic load rating, axial
C_{0a}	83.000 N	Basic static load rating, axial HL
C_{0a}	28.000 N	Basic static load rating, axial
C_{ua}	2.450 N	Fatigue load limit, axial HL
C_{ua}	1.240 N	Fatigue load limit, axial
$n_{G \text{ Grease}}$	5.700 1/min	Limiting speed for grease lubrication
n_g	2.600 1/min	Thermally permissible speed
$\approx m$	0,53 kg	Weight

Mounting dimensions

$d_{a \min}$	20 mm	Minimum diameter shaft shoulder
$d_{a \max}$	35 mm	Maximum diameter of shaft shoulder
	M6	Fixing screws DIN EN ISO 4762 10.9 (not included)
n	4	Number of screws



Dimensions

d_1	28 mm	Rib diameter inner ring
D_1	75 mm	Flange diameter
r_{min}	0,3 mm	Minimum chamfer dimension
$r_{1 min}$	0,6 mm	Minimum chamfer dimension 1
B_1	18 mm	Thickness of flange
d_2	6,8 mm	Fixing boring diameter
J	58 mm	Pitch circle diameter (holes)
A	55 mm	Flange width

Temperature range

T_{min}	-30 °C	Operating temperature min.
T_{max}	120 °C	Operating temperature max.

Additional information

M_{RL}	0,35 Nm	Bearing friction torque
c_{aL}	500 N/μm	Rigidity axial
c_{aL}	950 N/μm	Rigidity axial (HL)
c_{kL}	140 Nm/mrad	Tilting stiffness
	5 μm	Axial runout
M_m	0,278 kg*cm ²	Mass moment of inertia
	ZMA15/33	recommended INA precision locknut for radial locking 1,2
(3) r	ZM17	recommended INA precision locknut for radial locking 3
(1), (2) r	AM15	recommended INA precision locknut for axial locking 1,2
M_A	10 Nm	Tightening torque nut
(1), (2) a	6.270 N	required locknut force axial 1

