



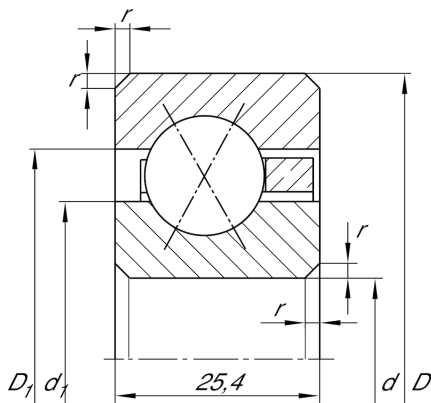
## CSXG140

Four-point contact bearing

Schaeffler ID:  
0031687430000

Four point contact bearing, Thin section bearing CSXG, brass sheet metal cage

### Technical information



#### Main Dimensions & Performance Data

d	355,6 mm	Bore diameter
D	406,4 mm	Outside diameter
B	25,4 mm	Width
$C_r$	78.000 N	Basic dynamic load rating, radial
$C_{0r}$	171.000 N	Basic static load rating, radial
$n_G$	680 1/min	Limiting speed
$\approx m$	4,89 kg	Weight

#### Dimensions

$r_{min}$	2 mm	Minimum chamfer dimension
$d_1$	374,5 mm	Shoulder diameter inner ring
$D_1$	387,6 mm	Shoulder diameter outer ring
$\alpha$	30 °	Contact angle

#### Temperature range

$T_{min}$	-30 °C	Operating temperature min.
$T_{max}$	120 °C	Operating temperature max.