



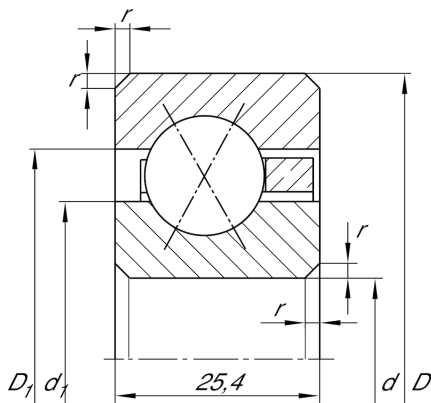
CSXG080

Four-point contact bearing

Schaeffler ID:
0027326290000

Four point contact bearing, Thin section bearing CSXG, brass sheet metal cage

Technical information



Main Dimensions & Performance Data

d	203,2 mm	Bore diameter
D	254 mm	Outside diameter
B	25,4 mm	Width
C_r	64.000 N	Basic dynamic load rating, radial
C_{0r}	100.000 N	Basic static load rating, radial
n_G	1.250 1/min	Limiting speed
$\approx m$	2,94 kg	Weight

Dimensions

r_{\min}	2 mm	Minimum chamfer dimension
d_1	222,1 mm	Shoulder diameter inner ring
D_1	235,2 mm	Shoulder diameter outer ring
α	30 °	Contact angle

Temperature range

T_{\min}	-30 °C	Operating temperature min.
T_{\max}	120 °C	Operating temperature max.