



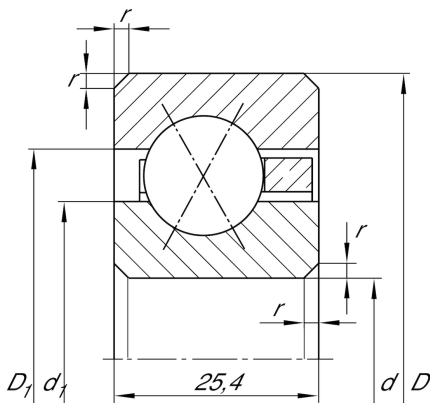
## CSXG060

Four-point contact bearing

Schaeffler ID:  
0096184570000

Four point contact bearing, Thin section bearing CSXG, brass sheet metal cage

### Technical information



#### Main Dimensions & Performance Data

d	152,4 mm	Bore diameter
D	203,2 mm	Outside diameter
B	25,4 mm	Width
$C_r$	58.000 N	Basic dynamic load rating, radial
$C_{0r}$	76.000 N	Basic static load rating, radial
$n_G$	1.680 1/min	Limiting speed
$\approx m$	2,31 kg	Weight

#### Dimensions

$r_{\min}$	2 mm	Minimum chamfer dimension
$d_1$	171,3 mm	Shoulder diameter inner ring
$D_1$	184,4 mm	Shoulder diameter outer ring
$\alpha$	30 °	Contact angle

#### Temperature range

$T_{\min}$	-30 °C	Operating temperature min.
$T_{\max}$	120 °C	Operating temperature max.