



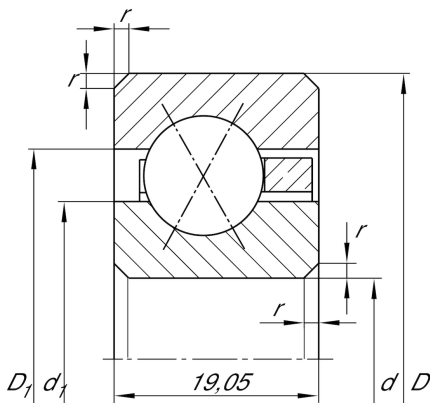
## CSXF120

Four-point contact bearing

Schaeffler ID:  
0077299600000

Four point contact bearing, Thin section bearing CSXF, brass sheet metal cage

### Technical information



#### Main Dimensions & Performance Data

d	304,8 mm	Bore diameter
D	342,9 mm	Outside diameter
B	19,05 mm	Width
$C_r$	46.000 N	Basic dynamic load rating, radial
$C_{0r}$	100.000 N	Basic static load rating, radial
$n_G$	840 1/min	Limiting speed
$\approx m$	2,36 kg	Weight

#### Dimensions

$r_{\min}$	2 mm	Minimum chamfer dimension
$d_1$	318,9 mm	Shoulder diameter inner ring
$D_1$	328,8 mm	Shoulder diameter outer ring
$\alpha$	30 °	Contact angle

#### Temperature range

$T_{\min}$	-30 °C	Operating temperature min.
$T_{\max}$	120 °C	Operating temperature max.