



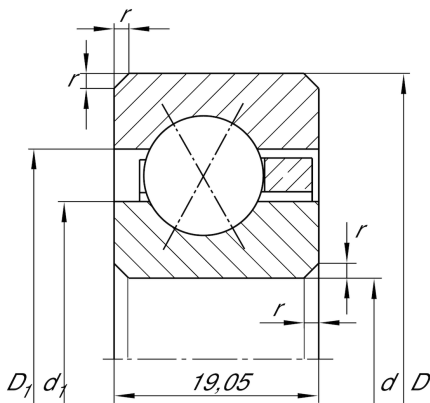
## CSXF070

Four-point contact bearing

Schaeffler ID:  
0090912200000

Four point contact bearing, Thin section bearing CSXF, brass sheet metal cage

### Technical information



### Main Dimensions & Performance Data

d	177,8 mm	Bore diameter
D	215,9 mm	Outside diameter
B	19,05 mm	Width
$C_r$	38.000 N	Basic dynamic load rating, radial
$C_{0r}$	60.000 N	Basic static load rating, radial
$n_G$	1.520 1/min	Limiting speed
$\approx m$	1,45 kg	Weight

### Dimensions

$r_{\min}$	2 mm	Minimum chamfer dimension
$d_1$	191,9 mm	Shoulder diameter inner ring
$D_1$	201,8 mm	Shoulder diameter outer ring
$\alpha$	30 °	Contact angle

### Temperature range

$T_{\min}$	-30 °C	Operating temperature min.
$T_{\max}$	120 °C	Operating temperature max.