



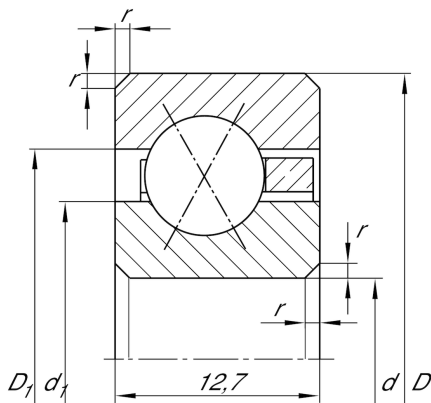
CSXD050

Four-point contact bearing

Schaeffler ID:
0074551780000

Four point contact bearing, Thin section bearing CSXD, brass sheet metal cage

Technical information



Main Dimensions & Performance Data

d	127 mm	Bore diameter
D	152,4 mm	Outside diameter
B	12,7 mm	Width
C_r	17.800 N	Basic dynamic load rating, radial
C_{0r}	25.500 N	Basic static load rating, radial
n_G	2.350 1/min	Limiting speed
$\approx m$	450 g	Weight

Dimensions

r_{\min}	1,5 mm	Minimum chamfer dimension
d_1	136,4 mm	Shoulder diameter inner ring
D_1	143 mm	Shoulder diameter outer ring
α	30 °	Contact angle

Temperature range

T_{\min}	-30 °C	Operating temperature min.
T_{\max}	120 °C	Operating temperature max.