



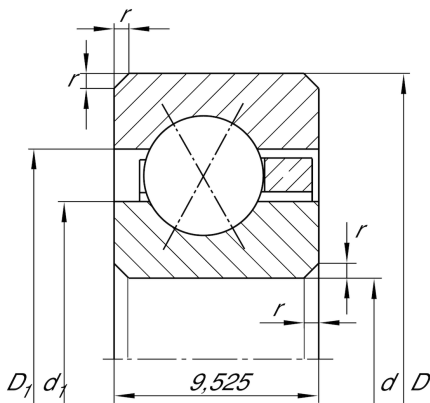
## CSXC090

Four-point contact bearing

Schaeffler ID:  
0032533920000

Four point contact bearing, Thin section bearing CSXC, brass sheet metal cage

### Technical information



### Main Dimensions & Performance Data

d	228,6 mm	Bore diameter
D	247,65 mm	Outside diameter
B	9,525 mm	Width
$C_r$	13.800 N	Basic dynamic load rating, radial
$C_{0r}$	31.500 N	Basic static load rating, radial
$n_G$	1.240 1/min	Limiting speed
$\approx m$	430 g	Weight

### Dimensions

$r_{min}$	1 mm	Minimum chamfer dimension
$d_1$	235,6 mm	Shoulder diameter inner ring
$D_1$	240,6 mm	Shoulder diameter outer ring
$\alpha$	30 °	Contact angle

### Temperature range

$T_{min}$	-30 °C	Operating temperature min.
$T_{max}$	120 °C	Operating temperature max.