



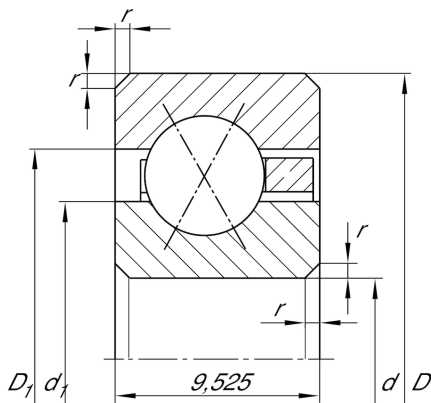
CSXC050

Four-point contact bearing

Schaeffler ID:
0513882940000

Four point contact bearing, Thin section bearing CSXC, brass sheet metal cage

Technical information



Main Dimensions & Performance Data

d	127 mm	Bore diameter
D	146,05 mm	Outside diameter
B	9,525 mm	Width
C_r	11.200 N	Basic dynamic load rating, radial
C_{0r}	17.800 N	Basic static load rating, radial
n_G	2.450 1/min	Limiting speed
$\approx m$	260 g	Weight

Dimensions

r_{\min}	1 mm	Minimum chamfer dimension
d_1	134 mm	Shoulder diameter inner ring
D_1	139 mm	Shoulder diameter outer ring
α	30 °	Contact angle

Temperature range

T_{\min}	-30 °C	Operating temperature min.
T_{\max}	120 °C	Operating temperature max.