



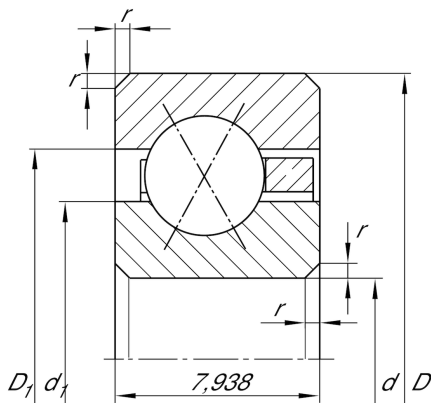
## CSXB055

Four-point contact bearing

Schaeffler ID:  
0034387830000

Four point contact bearing, Thin section bearing CSXB, brass sheet metal cage

### Technical information



#### Main Dimensions & Performance Data

d	139,7 mm	Bore diameter
D	155,575 mm	Outside diameter
B	7,938 mm	Width
C <sub>r</sub>	9.000 N	Basic dynamic load rating, radial
C <sub>0r</sub>	16.400 N	Basic static load rating, radial
n <sub>G</sub>	2.240 1/min	Limiting speed
≈m	190 g	Weight

#### Dimensions

r <sub>min</sub>	1 mm	Minimum chamfer dimension
d <sub>1</sub>	145,6 mm	Shoulder diameter inner ring
D <sub>1</sub>	149,7 mm	Shoulder diameter outer ring
α	30 °	Contact angle

#### Temperature range

T <sub>min</sub>	-30 °C	Operating temperature min.
T <sub>max</sub>	120 °C	Operating temperature max.