



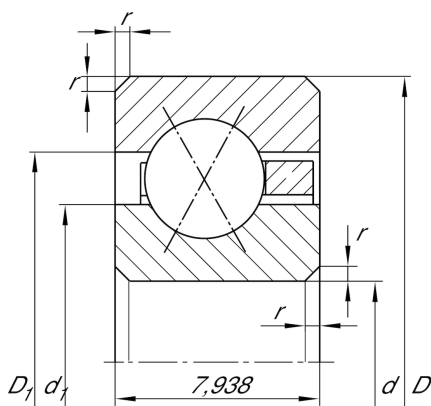
CSXB035

Four-point contact bearing

Schaeffler ID:
0074724200000

Four point contact bearing, Thin section bearing CSXB, brass sheet metal cage

Technical information



Main Dimensions & Performance Data

d	88,9 mm	Bore diameter
D	104,775 mm	Outside diameter
B	7,938 mm	Width
C _r	7.700 N	Basic dynamic load rating, radial
C _{0r}	10.600 N	Basic static load rating, radial
n _G	3.750 1/min	Limiting speed
≈m	120 g	Weight

Dimensions

r _{min}	1 mm	Minimum chamfer dimension
d ₁	94,8 mm	Shoulder diameter inner ring
D ₁	98,9 mm	Shoulder diameter outer ring
α	30 °	Contact angle

Temperature range

T _{min}	-30 °C	Operating temperature min.
T _{max}	120 °C	Operating temperature max.