



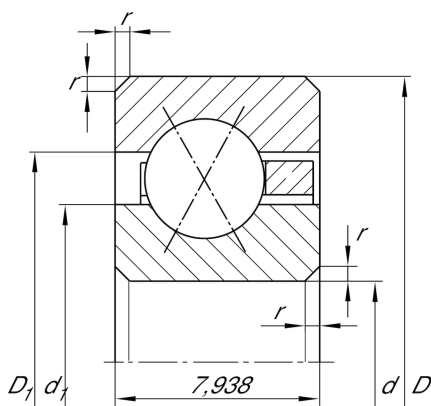
CSXB020

Four-point contact bearing

Schaeffler ID:
0008223370000

Four point contact bearing, Thin section bearing CSXB, brass sheet metal cage

Technical information



Main Dimensions & Performance Data

| | | |
|-------------|-------------|-----------------------------------|
| d | 50,8 mm | Bore diameter |
| D | 66,675 mm | Outside diameter |
| B | 7,938 mm | Width |
| C_r | 6.300 N | Basic dynamic load rating, radial |
| C_{0r} | 6.200 N | Basic static load rating, radial |
| n_G | 6.700 1/min | Limiting speed |
| $\approx m$ | 68,32 g | Weight |

Dimensions

| | | |
|------------|---------|------------------------------|
| r_{\min} | 1 mm | Minimum chamfer dimension |
| d_1 | 56,7 mm | Shoulder diameter inner ring |
| D_1 | 60,8 mm | Shoulder diameter outer ring |
| α | 30 ° | Contact angle |

Temperature range

| | | |
|------------|--------|----------------------------|
| T_{\min} | -30 °C | Operating temperature min. |
| T_{\max} | 120 °C | Operating temperature max. |