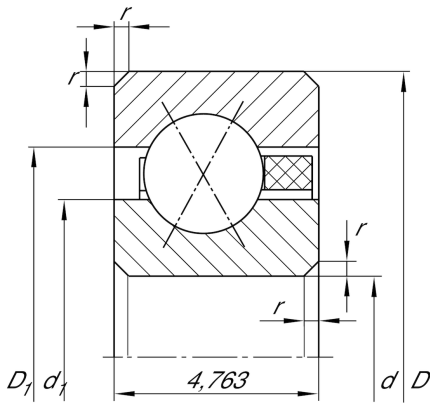


**CSXAA010-TV** [↗](#)

Four-point contact bearing

Four point contact bearing, Thin section bearing CSXAA..-TV, plastic cage

## Technical information

**Main Dimensions & Performance Data**

d	25,4 mm	Bore diameter
D	34,925 mm	Outside diameter
B	4,763 mm	Width
C <sub>r</sub>	2.390 N	Basic dynamic load rating, radial
C <sub>0r</sub>	1.900 N	Basic static load rating, radial
n <sub>G</sub>	10.800 1/min	Limiting speed
≈m	13,26 g	Weight

**Dimensions**

r <sub>min</sub>	0,38 mm	Minimum chamfer dimension
d <sub>1</sub>	29 mm	Shoulder diameter inner ring
D <sub>1</sub>	31,4 mm	Shoulder diameter outer ring
α	30 °	Contact angle

**Temperature range**

T <sub>min</sub>	-30 °C	Operating temperature min.
T <sub>max</sub>	120 °C	Operating temperature max.