



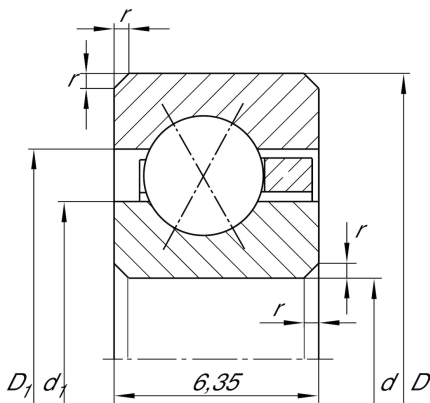
## CSXA070

Four-point contact bearing

Schaeffler ID:  
0073979680000

Four point contact bearing, Thin section bearing CSXA, brass sheet metal cage

### Technical information



#### Main Dimensions & Performance Data

d	177,8 mm	Bore diameter
D	190,5 mm	Outside diameter
B	6,35 mm	Width
C <sub>r</sub>	6.800 N	Basic dynamic load rating, radial
C <sub>0r</sub>	15.600 N	Basic static load rating, radial
n <sub>G</sub>	1.720 1/min	Limiting speed
≈m	150 g	Weight

#### Dimensions

r <sub>min</sub>	0,6 mm	Minimum chamfer dimension
d <sub>1</sub>	182,5 mm	Shoulder diameter inner ring
D <sub>1</sub>	185,8 mm	Shoulder diameter outer ring
α	30 °	Contact angle

#### Temperature range

T <sub>min</sub>	-30 °C	Operating temperature min.
T <sub>max</sub>	120 °C	Operating temperature max.