



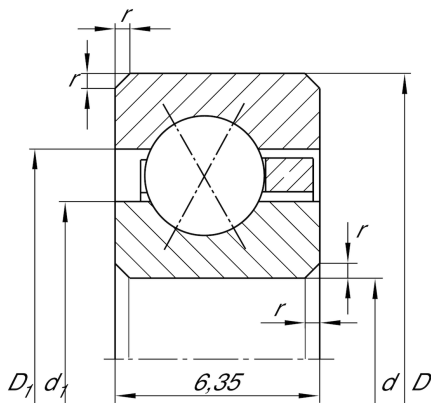
CSXA050

Four-point contact bearing

Schaeffler ID:
0077198920000

Four point contact bearing, Thin section bearing CSXA, brass sheet metal cage

Technical information



Main Dimensions & Performance Data

d	127 mm	Bore diameter
D	139,7 mm	Outside diameter
B	6,35 mm	Width
C _r	6.100 N	Basic dynamic load rating, radial
C _{0r}	11.200 N	Basic static load rating, radial
n _G	2.550 1/min	Limiting speed
≈m	110 g	Weight

Dimensions

r _{min}	0,6 mm	Minimum chamfer dimension
d ₁	131,7 mm	Shoulder diameter inner ring
D ₁	135 mm	Shoulder diameter outer ring
α	30 °	Contact angle

Temperature range

T _{min}	-30 °C	Operating temperature min.
T _{max}	120 °C	Operating temperature max.