



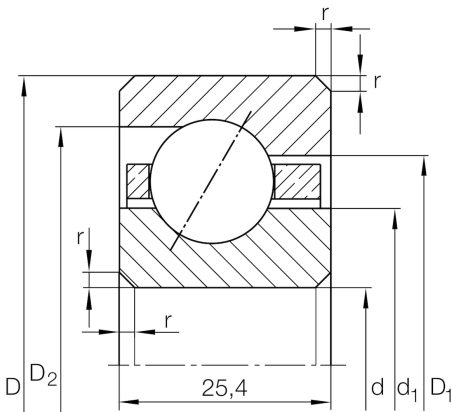
CSEG100

Angular contact ball bearing

Schaeffler ID:
0518576420000

Angular contact ball bearing, Thin section
bearing CSEG, brass sheet metal cage

Technical information



Main Dimensions & Performance Data

d	254 mm	Bore diameter
D	304,8 mm	Outside diameter
B	25,4 mm	Width
C_r	52.000 N	Basic dynamic load rating, radial
C_{0r}	82.000 N	Basic static load rating, radial
n_G	1.910 1/min	Limiting speed
$\approx m$	3,62 kg	Weight

Dimensions

r_{\min}	2 mm	Minimum chamfer dimension
d_1	272,9 mm	Shoulder diameter inner ring
D_1	286 mm	Shoulder diameter on outer ring wide side face
D_2	291,7 mm	Shoulder diameter on outer ring small side face
α	30 °	Contact angle

Temperature range

T_{\min}	-30 °C	Operating temperature min.
T_{\max}	120 °C	Operating temperature max.