



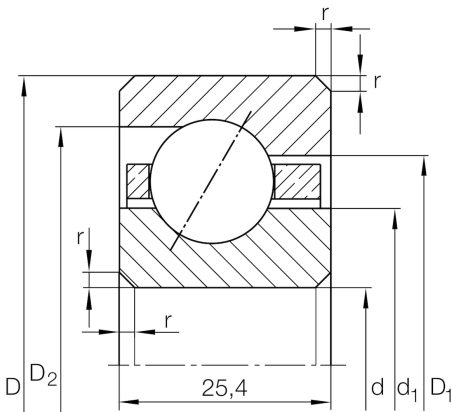
CSEG075

Angular contact ball bearing

Schaeffler ID:
0035547910000

Angular contact ball bearing, Thin section
bearing CSEG, brass sheet metal cage

Technical information



Main Dimensions & Performance Data

| | | |
|-------------|-------------|-----------------------------------|
| d | 190,5 mm | Bore diameter |
| D | 241,3 mm | Outside diameter |
| B | 25,4 mm | Width |
| C_r | 47.000 N | Basic dynamic load rating, radial |
| C_{0r} | 63.000 N | Basic static load rating, radial |
| n_G | 2.480 1/min | Limiting speed |
| $\approx m$ | 2,81 kg | Weight |

Dimensions

| | | |
|------------|----------|---|
| r_{\min} | 2 mm | Minimum chamfer dimension |
| d_1 | 209,4 mm | Shoulder diameter inner ring |
| D_1 | 222,5 mm | Shoulder diameter on outer ring wide side face |
| D_2 | 228,3 mm | Shoulder diameter on outer ring small side face |
| α | 30 ° | Contact angle |

Temperature range

| | | |
|------------|--------|----------------------------|
| T_{\min} | -30 °C | Operating temperature min. |
| T_{\max} | 120 °C | Operating temperature max. |