



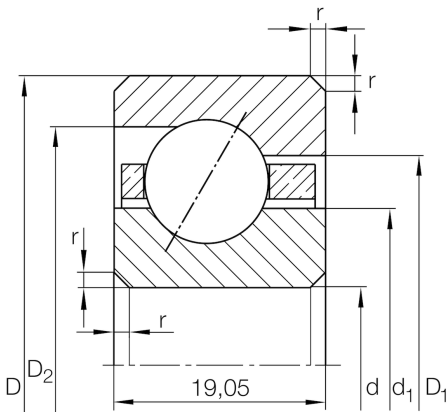
## CSEF080

Angular contact ball bearing

Schaeffler ID:  
0543018230000

Angular contact ball bearing, Thin section  
bearing CSEF, brass sheet metal cage

### Technical information



### Main Dimensions & Performance Data

d	203,2 mm	Bore diameter
D	241,3 mm	Outside diameter
B	19,05 mm	Width
$C_r$	30.500 N	Basic dynamic load rating, radial
$C_{0r}$	46.500 N	Basic static load rating, radial
$n_G$	2.450 1/min	Limiting speed
$\approx m$	1,64 kg	Weight

### Dimensions

$r_{\min}$	2 mm	Minimum chamfer dimension
$d_1$	217,3 mm	Shoulder diameter inner ring
$D_1$	227,2 mm	Shoulder diameter on outer ring wide side face
$D_2$	231,4 mm	Shoulder diameter on outer ring small side face
$\alpha$	30 °	Contact angle

### Temperature range

$T_{\min}$	-30 °C	Operating temperature min.
$T_{\max}$	120 °C	Operating temperature max.