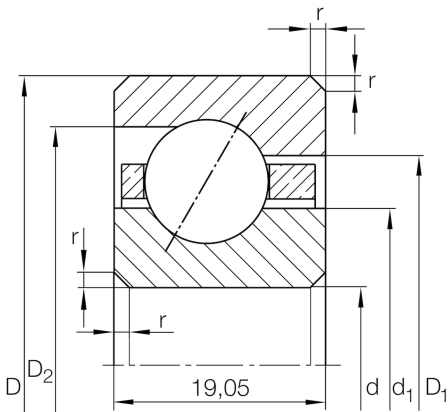


**CSEF060**

Angular contact ball bearing

Schaeffler ID:
0609551470000Angular contact ball bearing, Thin section
bearing CSEF, brass sheet metal cage

Technical information

**Main Dimensions & Performance Data**

d	152,4 mm	Bore diameter
D	190,5 mm	Outside diameter
B	19,05 mm	Width
C_r	27.500 N	Basic dynamic load rating, radial
C_{0r}	35.000 N	Basic static load rating, radial
n_G	3.200 1/min	Limiting speed
$\approx m$	1,22 kg	Weight

Dimensions

r_{\min}	2 mm	Minimum chamfer dimension
d_1	166,5 mm	Shoulder diameter inner ring
D_1	176,4 mm	Shoulder diameter on outer ring wide side face
D_2	180,7 mm	Shoulder diameter on outer ring small side face
α	30 °	Contact angle

Temperature range

T_{\min}	-30 °C	Operating temperature min.
T_{\max}	120 °C	Operating temperature max.