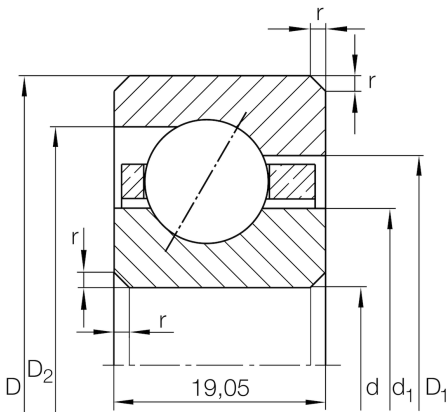


**CSEF055**

Angular contact ball bearing

Schaeffler ID:
0037107420000Angular contact ball bearing, Thin section
bearing CSEF, brass sheet metal cage

Technical information

**Main Dimensions & Performance Data**

d	139,7 mm	Bore diameter
D	177,8 mm	Outside diameter
B	19,05 mm	Width
C_r	26.500 N	Basic dynamic load rating, radial
C_{0r}	32.000 N	Basic static load rating, radial
n_G	3.450 1/min	Limiting speed
$\approx m$	1,17 kg	Weight

Dimensions

r_{\min}	2 mm	Minimum chamfer dimension
d_1	153,8 mm	Shoulder diameter inner ring
D_1	163,7 mm	Shoulder diameter on outer ring wide side face
D_2	168 mm	Shoulder diameter on outer ring small side face
α	30 °	Contact angle

Temperature range

T_{\min}	-30 °C	Operating temperature min.
T_{\max}	120 °C	Operating temperature max.