



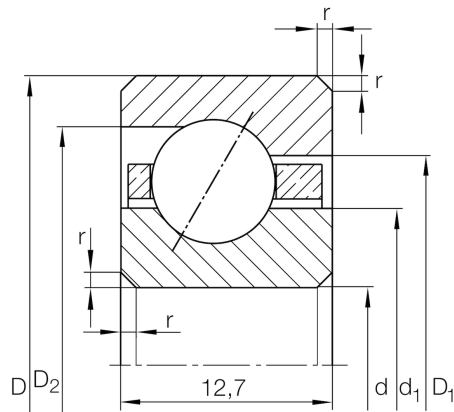
## CSED060

Angular contact ball bearing

Schaeffler ID:  
0096298070000

Angular contact ball bearing, Thin section  
bearing CSED, brass sheet metal cage

### Technical information



### Main Dimensions & Performance Data

d	152,4 mm	Bore diameter
D	177,8 mm	Outside diameter
B	12,7 mm	Width
$C_r$	14.100 N	Basic dynamic load rating, radial
$C_{0r}$	20.400 N	Basic static load rating, radial
$n_G$	3.400 1/min	Limiting speed
$\approx m$	0,52 kg	Weight

### Dimensions

$r_{\min}$	1,5 mm	Minimum chamfer dimension
$d_1$	161,8 mm	Shoulder diameter inner ring
$D_1$	168,4 mm	Shoulder diameter on outer ring wide side face
$D_2$	171,2 mm	Shoulder diameter on outer ring small side face
$\alpha$	30 °	Contact angle

### Temperature range

$T_{\min}$	-30 °C	Operating temperature min.
$T_{\max}$	120 °C	Operating temperature max.