



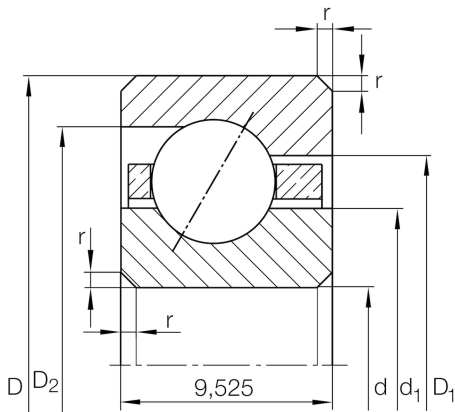
## CSEC050

Angular contact ball bearing

Schaeffler ID:  
0090717680000

Angular contact ball bearing, Thin section  
bearing CSEC, brass sheet metal cage

### Technical information



### Main Dimensions & Performance Data

d	127 mm	Bore diameter
D	146,05 mm	Outside diameter
B	9,525 mm	Width
$C_r$	8.700 N	Basic dynamic load rating, radial
$C_{0r}$	12.600 N	Basic static load rating, radial
$n_G$	4.200 1/min	Limiting speed
$\approx m$	240 g	Weight

### Dimensions

$r_{\min}$	1 mm	Minimum chamfer dimension
$d_1$	134 mm	Shoulder diameter inner ring
$D_1$	139 mm	Shoulder diameter on outer ring wide side face
$D_2$	141 mm	Shoulder diameter on outer ring small side face
$\alpha$	30 °	Contact angle

### Temperature range

$T_{\min}$	-30 °C	Operating temperature min.
$T_{\max}$	120 °C	Operating temperature max.