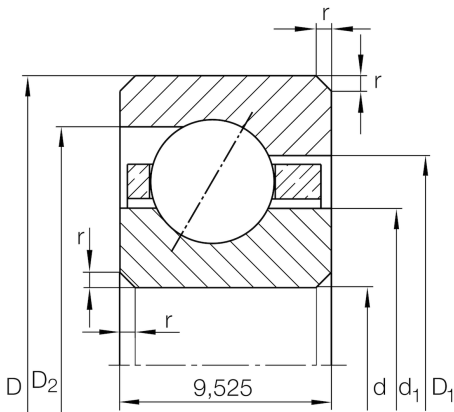


**CSEC047**

Angular contact ball bearing

Schaeffler ID:
0033609200000Angular contact ball bearing, Thin section
bearing CSEC, brass sheet metal cage

Technical information

**Main Dimensions & Performance Data**

d	120,65 mm	Bore diameter
D	139,7 mm	Outside diameter
B	9,525 mm	Width
C_r	8.600 N	Basic dynamic load rating, radial
C_{0r}	12.000 N	Basic static load rating, radial
n_G	4.400 1/min	Limiting speed
$\approx m$	230 g	Weight

Dimensions

r_{\min}	1 mm	Minimum chamfer dimension
d_1	127,7 mm	Shoulder diameter inner ring
D_1	132,7 mm	Shoulder diameter on outer ring wide side face
D_2	134,7 mm	Shoulder diameter on outer ring small side face
α	30 °	Contact angle

Temperature range

T_{\min}	-30 °C	Operating temperature min.
T_{\max}	120 °C	Operating temperature max.