



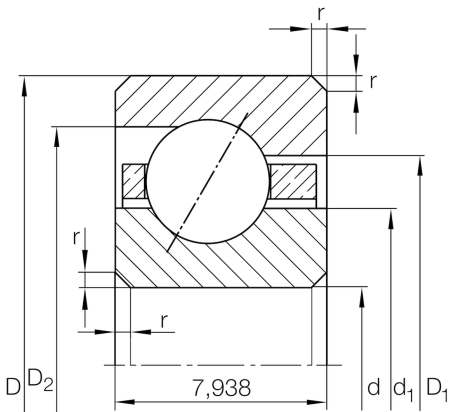
## CSEB042

Angular contact ball bearing

Schaeffler ID:  
0095611100000

Angular contact ball bearing, Thin section  
bearing CSEB, brass sheet metal cage

### Technical information



### Main Dimensions & Performance Data

d	107,95 mm	Bore diameter
D	123,825 mm	Outside diameter
B	7,938 mm	Width
$C_r$	6.200 N	Basic dynamic load rating, radial
$C_{0r}$	8.600 N	Basic static load rating, radial
$n_G$	5.000 1/min	Limiting speed
$\approx m$	140 g	Weight

### Dimensions

$r_{\min}$	1 mm	Minimum chamfer dimension
$d_1$	113,8 mm	Shoulder diameter inner ring
$D_1$	117,9 mm	Shoulder diameter on outer ring wide side face
$D_2$	119,6 mm	Shoulder diameter on outer ring small side face
$\alpha$	30 °	Contact angle

### Temperature range

$T_{\min}$	-30 °C	Operating temperature min.
$T_{\max}$	120 °C	Operating temperature max.