



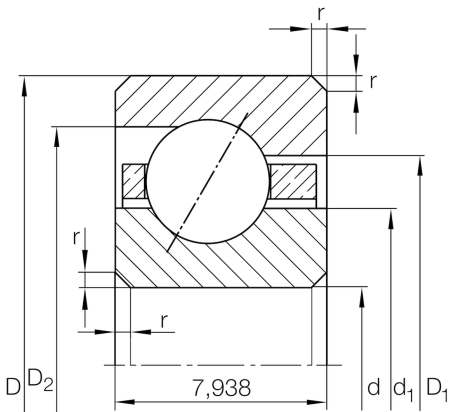
CSEB030

Angular contact ball bearing

Schaeffler ID:
0096620650000

Angular contact ball bearing, Thin section
bearing CSEB, brass sheet metal cage

Technical information



Main Dimensions & Performance Data

| | | |
|-------------|-------------|-----------------------------------|
| d | 76,2 mm | Bore diameter |
| D | 92,075 mm | Outside diameter |
| B | 7,938 mm | Width |
| C_r | 5.400 N | Basic dynamic load rating, radial |
| C_{0r} | 6.100 N | Basic static load rating, radial |
| n_G | 7.000 1/min | Limiting speed |
| $\approx m$ | 110 g | Weight |

Dimensions

| | | |
|------------|---------|---|
| r_{\min} | 1 mm | Minimum chamfer dimension |
| d_1 | 82,1 mm | Shoulder diameter inner ring |
| D_1 | 86,2 mm | Shoulder diameter on outer ring wide side face |
| D_2 | 87,9 mm | Shoulder diameter on outer ring small side face |
| α | 30 ° | Contact angle |

Temperature range

| | | |
|------------|--------|----------------------------|
| T_{\min} | -30 °C | Operating temperature min. |
| T_{\max} | 120 °C | Operating temperature max. |