



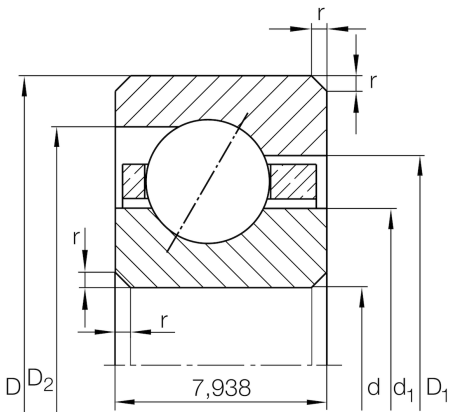
CSEB020

Angular contact ball bearing

Schaeffler ID:
0037542600000

Angular contact ball bearing, Thin section
bearing CSEB, brass sheet metal cage

Technical information



Main Dimensions & Performance Data

d	50,8 mm	Bore diameter
D	66,675 mm	Outside diameter
B	7,938 mm	Width
C_r	4.750 N	Basic dynamic load rating, radial
C_{0r}	4.200 N	Basic static load rating, radial
n_G	10.000 1/min	Limiting speed
$\approx m$	70 g	Weight

Dimensions

r_{\min}	1 mm	Minimum chamfer dimension
d_1	56,7 mm	Shoulder diameter inner ring
D_1	60,8 mm	Shoulder diameter on outer ring wide side face
D_2	62,6 mm	Shoulder diameter on outer ring small side face
α	30 °	Contact angle

Temperature range

T_{\min}	-30 °C	Operating temperature min.
T_{\max}	120 °C	Operating temperature max.