



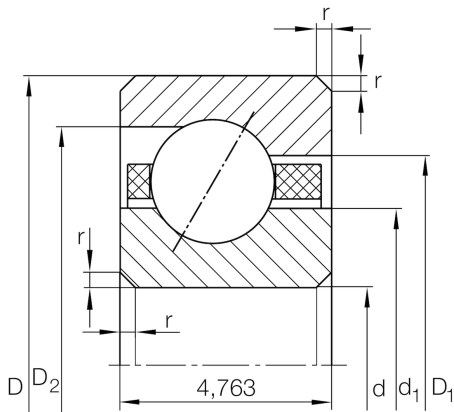
CSEAA015-TV

Angular contact ball bearing

Schaeffler ID:
0034980180000

Angular contact ball bearing, Thin section
bearing CSEAA..-TV, plastic cage

Technical information



Main Dimensions & Performance Data

d	38,1 mm	Bore diameter
D	47,625 mm	Outside diameter
B	4,763 mm	Width
C_r	2.050 N	Basic dynamic load rating, radial
C_{0r}	1.860 N	Basic static load rating, radial
n_G	14.300 1/min	Limiting speed
$\approx m$	20 g	Weight

Dimensions

r_{\min}	0,38 mm	Minimum chamfer dimension
d_1	41,7 mm	Shoulder diameter inner ring
D_1	44,1 mm	Shoulder diameter on outer ring wide side face
D_2	45,1 mm	Shoulder diameter on outer ring small side face
α	30 °	Contact angle

Temperature range

T_{\min}	-30 °C	Operating temperature min.
T_{\max}	120 °C	Operating temperature max.